



# 2N Access Unit QR

## Installation Manual



# Table of Contents

<b>Symbols and Terms Used</b> .....	<b>4</b>
<b>Product Description</b> .....	<b>5</b>
Basic Features .....	5
Product Versions .....	6
Accessories .....	6
Accessories for Installation .....	6
Frames .....	9
Extenders .....	12
Power Supply .....	20
Licenses .....	20
Other accessories .....	20
Package Completeness Check .....	26
Module / Frame Package Completeness Check .....	26
<b>Installation</b> .....	<b>28</b>
Mechanical Installation .....	28
Flush mounting .....	30
Surface Installation .....	62
Electric Installation .....	79
Power Supply .....	79
Power Supply Installation .....	80
Device Connectors .....	81
LAN Connection .....	85
Overvoltage Protection .....	85
Installation Completion .....	88
Frame Attachment .....	89
Most Frequent Installation Errors .....	89
<b>Main and Extending Modules</b> .....	<b>90</b>
Module Interconnection .....	90
Module Power Supply .....	92
Module Specifications .....	95
125 kHz RFID Card Reader Module .....	95
13.56 MHz, NFC RFID Card Reader Module .....	96
Secured 13.56 MHz NFC RFID Card Reader Module .....	96
Bluetooth & 125 kHz, 13.56 MHz, NFC RFID Card Reader Module .....	97
Bluetooth & 125 kHz, secured 13.56 MHz, NFC RFID Card Reader Module .....	98
Touch Keypad & 125 kHz, 13.56 MHz, NFC RFID Card Reader Module .....	98
Touch Keypad & 125 kHz, secured 13.56 MHz, NFC RFID Card Reader Module .....	99
Touch Keypad & Bluetooth & 125 kHz, 13.56 MHz, NFC RFID Card Reader Module .....	99
Touch Keypad & Bluetooth & 125 kHz, secured 13.56 MHz, NFC RFID Card Reader Module .....	100
Touch Keypad Module .....	101
Biometric Fingerprint Reader Module .....	101
Touch Display Module .....	102
Keypad Module .....	102
I/O Module .....	103
Wiegand Module .....	104
Security Relay .....	108
Tamper Switch Module .....	110
Infopanel Module .....	112
<b>Brief Guidelines</b> .....	<b>113</b>
IP Address Retrieval .....	113
IP Address Retrieval Using 2N IP Utility .....	113
IP Address Retrieval with CONTROL Button .....	114
Access to web device configuration .....	115

Password Change .....	115
Recommended browsers .....	115
Firmware Update .....	116
Device Restart .....	116
Restart Using Web Configuration Interface .....	117
Factory Default Reset .....	117
Factory Default Reset via Web Configuration Interface .....	117
Factory Default Reset with CONTROL Button .....	117
Configuration via Hardware .....	118
IP Address Retrieval with CONTROL Button .....	118
Static IP Address Setting with CONTROL Button .....	119
Dynamic IP Address Setting via CONTROL Button .....	119
Factory Default Reset with CONTROL Button .....	120
<b>Device Control .....</b>	<b>121</b>
LED pictograms .....	122
Colour Signalling .....	122
<b>Maintenance - Cleaning .....</b>	<b>123</b>
<b>Troubleshooting .....</b>	<b>124</b>
<b>Technical Parameters .....</b>	<b>125</b>
<b>General Instructions and Cautions .....</b>	<b>131</b>
Directives, Laws and Regulations .....	131
EU .....	131
Industry Canada .....	132
Legislation of Thailand .....	132
Electric Waste and Used Battery Pack Handling .....	132

## Symbols and Terms Used

The following symbols and pictograms are used in the manual:



### **DANGER**

**Always abide** by this information to prevent persons from injury.



### **WARNING**

**Always abide** by this information to prevent damage to the device.



### **CAUTION**

**Important information** for system functionality.



### **TIP**

**Useful information** for quick and efficient functionality.



### **NOTE**

Routines or advice for efficient use of the device.

# Product Description

In this section, we introduce the **2N Access Unit QR** product, outline its application options and highlight the advantages following from its use.

## Basic Features

**2N Access Unit QR** is an access unit equipped with a full HD camera used as an elegant QR code reader. Thanks to modularity, the assembly can be complemented with another **2N Access Unit 2.0** module (including the compatible **2N IP Verso** modules except for **2N IP Verso – Induction Loop**) and assembled according to individual needs. It provides a reliable and innovative building access control and easy interoperability with other systems for enhanced building security. **2N Access Unit QR** can be used as an access unit for office buildings, residential areas or other applications.

The user specifies a list of modules and accessories that meet their particular needs and assembles them using the plug&play connections. This approach allows for individual system configurations and also leaves space for additional functionality if necessary.

The device has the Gold license, which includes the Enhanced Video, Enhanced Integration and Lift Control licenses.

## The main advantages of this device are:

**Wide Angle Camera with Full HD Resolution** – provides visitors with a simplified access based on QR code reading. The camera is elegantly hidden behind darkened glass, so it is not visible. The camera can also be used for VMS connection.

**Keypad** – the device can be equipped with a numeric keypad module, which turns the device into a code lock for lock switch activation.

**Card Reader** – the device can be equipped with a card reader module, which provides access control functionality based on RFID cards or chips. With additional software features, functions other than the door lock can be RFID card controlled too.

**Electric Lock Switch** – this switch can be controlled using QR codes, the numeric keypad or a PC application. The switch can be completed with additional module outputs if necessary. A wide range of switch settings allows for a variety of applications.

**Robustness** – the device is designed as a robust, mechanically resistant intercom, which withstands weather conditions without needing extra accessories.

**Device Installation** – is very easy. All you have to do is assemble the required modules and connect the assembly to your LAN with a network cable. The modules are plug&play, so there is no need to configure them manually. The device can be supplied either from a 12 V DC power source or using PoE if supported by your LAN.

**Device Configuration** – use a PC equipped with any internet browser for configuration.

## Other advantages of the device

- industrial design and variable mounting options,
- wide supply power range and PoE supply,
- integrated 10 W power amplifier,
- external amplifier connection,
- external microphone/audio signal source connection,

## Product Description

- galvanically isolated RELAY output,
- two controlled active 12 V outputs,
- two galvanically isolated logic inputs,
- up to 3 signaling LED outputs,
- up to 16 external buttons/matrix keypad connection,
- integrated one-porttwo-port LAN switch,
- elegant design,
- weather resistance,
- variable mounting options (brick/plasterboard flush mounting, surface mounting),
- sensitive microphone for noise detection and speakerphone for playing preset messages,
- integrated color FullHD camera with a wide-angle lens,
- optional numeric keypad with backlight,
- option to have multiple modules of the same kind – for example, a card reader for both entering and leaving the building,
- integrated electronic lock switches with wide setting options,
- optional integrated RFID card reader module,
- LAN (PoE) or external 12 V power supply
- configuration via web interface,
- up to 54 buttons for calling preset phone numbers,
- up to 10,000 users to be added,
- up to 20 user time profiles,
- HTTPS server for configuration,
- SNTP client for server time synchronization,
- SMTP client for e-mail sending,
- RTSP server for video streaming,
- TFTP/HTTP client for automated configuration update.

## Product Versions



**Part No. 916201**

Axis Part No. 03089-001

### **2N Access Unit QR**

It provides access control via a QR code.

One blind module is always supplied with the device.

## Accessories

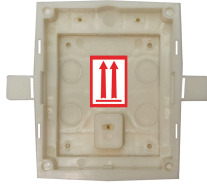
### **Accessories for Installation**

**2N Access Unit QR** is designed for both outdoor and indoor applications and requires no additional roof.

The 2N IP Verso accessories are compatible with 2N Access Unit 2.0 and 2N Access Unit QR.

Choose the proper frame and, if necessary, other accessories for your particular installation needs.

## Product Description



### **Part No. 9155014**

Axis Part No. 01284-001

Flush mounting box, 1-module

The box is designed for brick/plasterboard flush mounting of 1-module.

Delivered including accessories for multiple box assemblies.

**Remember to order it together with a 1-module flush mounting frame (9155011/9155011B, 01278-001/01279-001).**

---



### **Part No. 9155015**

Axis Part No. 01285-001

Flush mounting box, 2-module

The box is designed for brick/plasterboard flush mounting of 2-module.

Delivered including accessories for multiple box assemblies.

**Remember to order it together with a 2-module flush mounting frame (9155012/9155012B, 01280-001/01281-001).**

---



### **Part No. 9155016**

Axis Part No. 01286-001

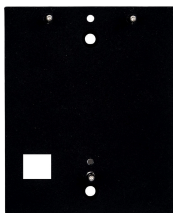
Flush mounting box, 3-module

The box is designed for brick/plasterboard flush mounting of 3-module.

Delivered including accessories for multiple box assemblies.

**Remember to order it together with a 3-module flush mounting frame (9155013/9155013B, 01282-001/01283-001).**

---



### **Part No. 9155061**

Axis Part No. 01293-001

1-module mounting backplate

Mounting backplate for glass/uneven surface mounting of 1 module.

---



### **Part No. 9155062**

Axis Part No. 01294-001

2-module mounting backplate

Mounting backplate for glass/uneven surface mounting of 2 modules.

---

## Product Description



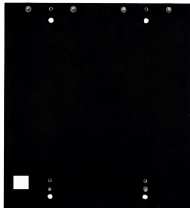
### **Part No. 9155063**

Axis Part No. 01295-001

3-module mounting backplate

Mounting backplate for glass/uneven surface mounting of 3 modules.

---



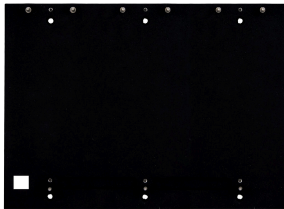
### **Part No. 9155064**

Axis Part No. 01296-001

2 x 2-module mounting backplate

Mounting backplate for glass/uneven surface mounting of 2 (w) x 2 (h) modules.

---



### **Part No. 9155065**

Axis Part No. 01297-001

3 x 2-module mounting backplate

Mounting backplate for glass/uneven surface mounting of 3 (w) x 2 (h) modules.

---



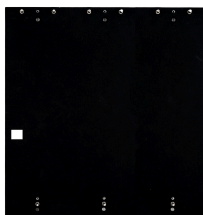
### **Part No. 9155066**

Axis Part No. 01298-001

2 x 3-module mounting backplate

Mounting backplate for glass/uneven surface mounting of 2 (w) x 3 (h) modules.

---



### **Part No. 9155067**

Axis Part No. 01299-001

3 x 3-module mounting backplate

Mounting backplate for glass/uneven surface mounting of 3 (w) x 3 (h) modules.

---



### **Part No. 9155072**

Axis Part No. 01940-001

2-module slope board

The 2-module slope board is used as a backplate for installations with a tilt of 25°.

---

## Product Description



### **Part No. 9155050/9155054/9155055**

Axis Part No. 01267-001/01268-001/01269-001

1/3/5 m interconnecting cable

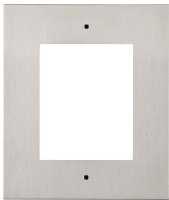
Interconnection cable for distant module installation.

Only one interconnecting cable is allowed per installation.

The maximum bus length is 7 m.

## Frames

The 2N IP Verso accessories are compatible with 2N Access Unit 2.0 and 2N Access Unit QR.



### **Part No. 9155011**

Axis Part No. 01278-001

Flush mounting frame, 1 module

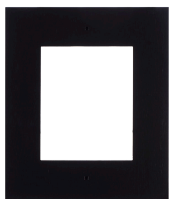
Covering frame for the 1-module brick/plasterboard flush mounting box.

The 1-module frame is used, for example:

- When an additional module is added to an existing installation.
- When the module is mounted onto an extended interconnecting cable, for an OUT card reader, for example.

**Remember to order the frame when you order a 1-module flush mounting box (9155014, 01284-001)**

---



### **Part No. 9155011B**

Axis Part No. 01279-001

Flush mounting frame, 1 module – black

Covering frame for the 1-module brick/plasterboard flush mounting box.

The 1-module frame is used, for example:

- When an additional module is added to an existing installation.
- When the module is mounted onto an extended interconnecting cable, for an OUT card reader, for example.

**Remember to order the frame when you order a 1-module flush mounting box (9155014, 01284-001)**

---

Product Description



**Part No. 9155012**

Axis Part No. 01280-001

Flush mounting frame, 2 modules

Covering frame for the 2-module brick/plasterboard flush mounting box.

**Remember to order the frame when you order a 2-module flush mounting box (9155015, 01285-001).**

---



**Part No. 9155012B**

Axis Part No. 01281-001

Flush mounting frame, 2 modules – black

Covering frame for the 2-module brick/plasterboard flush mounting box.

**Remember to order the frame when you order a 2-module flush mounting box (9155015, 01285-001).**

---



**Part No. 9155013**

Axis Part No. 01282-001

Flush mounting frame, 3 modules

Covering frame for the 3-module brick/plasterboard flush mounting box.

**Remember to order the frame when you order a 3-module flush mounting box (9155016, 01286-001).**

---



**Part No. 9155013B**

Axis Part No. 01283-001

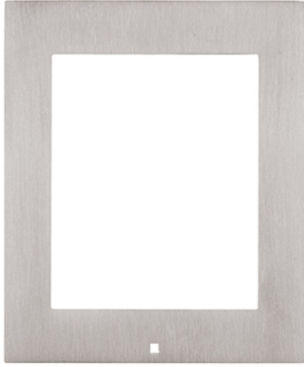
Flush mounting frame, 3-module – black

Covering frame for the 3-module brick/plasterboard flush mounting box.

**Remember to order the frame when you order a 3-module flush mounting box (9155016, 01286-001).**

---

## Product Description



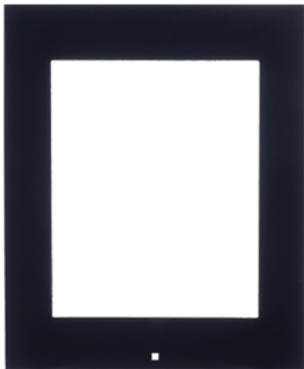
### **Part No. 9155021**

Axis Part No. 01287-001

Surface mounting frame, 1 module

The 1-module frame is used, for example:

- when an additional module is added to an existing installation,
- when the module is mounted onto an extended interconnecting cable, for an OUT card reader, for example.



### **Part No. 9155021B**

Axis Part No. 01288-001

Surface mounting frame, 1 module – black

The 1-module frame is used, for example:

- when an additional module is added to an existing installation,
- when the module is mounted onto an extended interconnecting cable, for an OUT card reader, for example.



### **Part No. 9155022**

Axis Part No. 01289-001

Surface mounting frame, 2 modules



### **Part No. 9155022B**

Axis Part No. 01290-001

Surface mounting frame, 2 modules – black



### **Part No. 9155023**

Axis Part No. 01291-001

Surface mounting frame, 3 modules



**Part No. 9155023B**

Axis Part No. 01292-001

Surface mounting frame, 3 modules – black

## Extenders



**NOTE**

**2N Access Unit QR** also supports the **2N IP Verso** extending modules.



**Part No. 9155030**

Axis Part No. 01252-001

2N IP Verso – Infopanel

The Infopanel module helps you place such information into the device installation as house number, opening hours and similar data.

The Infopanel backlight is software controlled.



**Part No. 9155031**

Axis Part No. 01253-001

2N IP Verso – Keypad

The numeric keypad module helps you dial users via their phonebook positions or phone numbers. Also, it helps you control the lock and other functions via a numeric code.

The digits and symbols are backlit.



**Part No. 9155031B**

Axis Part No. 01254-001

2N IP Verso – Keypad – black

The numeric keypad module helps you dial users via their phonebook positions or phone numbers. Also, it helps you control the lock and other functions via a numeric code.

The digits and symbols are backlit.

## Product Description



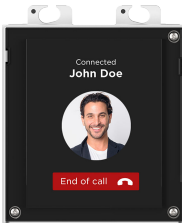
### **Part No. 9155047**

Axis Part No. 01277-001

2N IP Verso – Touch Keypad

The numeric touch keypad module helps you dial users via their phone-book positions or phone numbers, Also, it helps you control the lock and other functions via a numeric code.

The digits and symbols are backlit.



### **Part No. 9155036**

Axis Part No. 01275-001

2N IP Verso – Touch Display

The touch display module allows visitors to dial users in a smartphone-like way.

In addition the display also features a keypad.



### **Part No. 91550941**

2N IP Verso 125 kHz

It provides access control via contactless cards or key fobs.

Supported RFID cards 125 kHz:

- EM4x02
- HID Prox



### **Part No. 91550941US**

Axis Part No. 02140-001

2N IP Verso 125 kHz

It provides access control via contactless cards or key fobs.

Supported RFID cards 125 kHz:

- EM4x02
- HID Prox

## Product Description



### Part No. 91550942

Axis Part No. 02139-001

2N IP Verso 13.56 MHz, NFC ready

It provides access control via contactless cards or key fobs. The module supports the following 13.56 MHz cards or other carriers:

Supported RFID cards 13.56 MHz:

- **ISO14443A** (MIFARE Classic, MIFARE Plus, MIFARE Mini, MIFARE Ultralight, MIFARE DESFire CSN only)
- **ISO14443B** (Calypso)
- **PicoPass** (HID iClass CSN, Picopass)
- **FeliCa** (Standard, Lite)
- **ST SR** (SR, SRI, SRIX)
- **My2N**
- **2N PICard**



### Part No. 91550942-S

Axis Part No. 02141-001

2N IP Verso 13.56 MHz, secured NFC ready

It provides access control via contactless cards or key fobs. The module supports the following 13.56 MHz cards or other carriers:

Supported RFID cards 13.56 MHz:

- **ISO14443A** (MIFARE Classic, MIFARE Plus, MIFARE Mini, MIFARE Ultralight, MIFARE DESFire CSN only)
- **ISO14443B** (Calypso)
- **PicoPass** (HID iClass CSN, Picopass)
- **FeliCa** (Standard, Lite)
- **ST SR** (SR, SRI, SRIX)
- **HID PAC** (HID SEOS, HID iClass SE, iClass SR, HID MIFARE DESFire with SIO, HID MIFARE Classic with SIO)
- **My2N**
- **2N PICard**



### Part No. 91550451

Axis Part No. 03507-001

2N IP Verso – Biometric Fingerprint Reader

Used for verification of human fingerprints for access control and intercom/third party equipment control.

## Product Description



### Part No. 9155086

Axis Part No. 01712-001

2N IP Verso RFID – secured 13.56 MHz, NFC

It provides access control via contactless cards or key fobs. The module supports the following 13.56 MHz cards or other carriers:

Compatible with firmware version 2.13 and higher.

Supported RFID cards 13.56 MHz:

- **ISO14443A** (MIFARE Classic, MIFARE Plus, MIFARE Mini, MIFARE Ultralight, MIFARE DESFire CSN only)
- **ISO14443B** (Calypso)
- **PicoPass** (HID iClass CSN, Picopass)
- **FeliCa** (Standard, Lite)
- **ST SR** (SR, SRI, SRIX)
- **My2N**
- **2N PICard**



### Part No. 91550945

Axis Part No. 02778-001

2N IP Verso Bluetooth & RFID – 125 kHz, 13.56 MHz, NFC

A combined Bluetooth & card reader module helps you control access using a numeric code, contactless cards or key fobs. The module supports the 125 kHz and 13.56 MHz cards and/or other carriers.

Supported RFID cards 125 kHz:

- EM4x02
- HID Prox

Supported RFID cards 13.56 MHz:

- **ISO14443A** (MIFARE Classic, MIFARE Plus, MIFARE Mini, MIFARE Ultralight, MIFARE DESFire CSN only)
  - **ISO14443B** (Calypso)
  - **PicoPass** (HID iClass CSN, Picopass)
  - **FeliCa** (Standard, Lite)
  - **ST SR** (SR, SRI, SRIX)
  - **My2N**
  - **2N PICard**
-

## Product Description



### Part No. 91550945-S

Axis Part No. 02444-001

2N IP Verso Bluetooth & RFID – 125 kHz, secured 13.56 MHz, NFC

A combined Bluetooth – card reader module helps you control access using an access code, My2N in your smartphone or an access card. The module supports the 125 kHz and 13.56 MHz cards and/or other carriers.

Supported RFID cards 125 kHz:

- EM4x02
- HID Prox

Supported RFID cards 13.56 MHz:

- **ISO14443A** (MIFARE Classic, MIFARE Plus, MIFARE Mini, MIFARE Ultralight, MIFARE DESFire CSN only)
- **ISO14443B** (Calypso)
- **PicoPass** (HID iClass CSN, Picopass)
- **FeliCa** (Standard, Lite)
- **ST SR** (SR, SRI, SRIX)
- **HID PAC** (HID SEOS, HID iClass SE, iClass SR, HID MIFARE DESFire with SIO, HID MIFARE Classic with SIO)
- **My2N**
- **2N PICard**



### Part No. 91550946

Axis Part No. 02779-001

2N IP Verso Touch keypad & RFID – 125 kHz, 13.56 MHz, NFC

A combined touch keypad – card reader module helps you control access using a numeric code, contactless cards or key fobs. The module supports the 125 kHz and 13.56 MHz cards and/or other carriers.

Supported RFID cards 125 kHz:

- EM4x02
- HID Prox

Supported RFID cards 13.56 MHz:

- **ISO14443A** (MIFARE Classic, MIFARE Plus, MIFARE Mini, MIFARE Ultralight, MIFARE DESFire CSN only)
  - **ISO14443B** (Calypso)
  - **PicoPass** (HID iClass CSN, Picopass)
  - **FeliCa** (Standard, Lite)
  - **ST SR** (SR, SRI, SRIX)
  - **My2N**
  - **2N PICard**
-

## Product Description



### Part No. 91550946-S

Axis Part No. 02443-001

2N IP Verso Touch keypad & RFID – 125 kHz, secured 13.56 MHz, NFC

A combined touch keypad – card reader module helps you control access using a numeric code, contactless cards or key fobs. The module supports the 125 kHz and 13.56 MHz cards and/or other carriers.

Supported RFID cards 125 kHz:

- EM4x02
- HID Prox

Supported RFID cards 13.56 MHz:

- **ISO14443A** (MIFARE Classic, MIFARE Plus, MIFARE Mini, MIFARE Ultralight, MIFARE DESFire CSN only)
- **ISO14443B** (Calypso)
- **PicoPass** (HID iClass CSN, Picopass)
- **FeliCa** (Standard, Lite)
- **ST SR** (SR, SRI, SRIX)
- **HID PAC** (HID SEOS, HID iClass SE, iClass SR, HID MIFARE DESFire with SIO, HID MIFARE Classic with SIO)
- **My2N**
- **2N PICard**



### Part No. 91550947

Axis Part No. 02781-001

2N IP Verso Touch keypad & Bluetooth & RFID – 125 kHz, 13.56 MHz, NFC

A combined touch keypad – Bluetooth – card reader module helps you control access using an access code, My2N in your smartphone or an access card. The module supports the 125 kHz and 13.56 MHz cards and/or other carriers.

Supported RFID cards 125 kHz:

- EM4x02
- HID Prox

Supported RFID cards 13.56 MHz:

- **ISO14443A** (MIFARE Classic, MIFARE Plus, MIFARE Mini, MIFARE Ultralight, MIFARE DESFire CSN only)
  - **ISO14443B** (Calypso)
  - **PicoPass** (HID iClass CSN, Picopass)
  - **FeliCa** (Standard, Lite)
  - **ST SR** (SR, SRI, SRIX)
  - **My2N**
  - **2N PICard**
-

## Product Description



### Part No. 91550947-S

Axis Part No. 02782-001

2N IP Verso Touch keypad & Bluetooth & RFID - 125 kHz, secured 13.56 MHz, NFC

A combined touch keypad – Bluetooth – card reader module helps you control access using an access code, My2N in your smartphone or an access card. The module supports the 125 kHz and 13.56 MHz cards and/or other carriers.

Supported RFID cards 125 kHz:

- EM4x02
- HID Prox

Supported RFID cards 13.56 MHz:

- **ISO14443A** (MIFARE Classic, MIFARE Plus, MIFARE Mini, MIFARE Ultralight, MIFARE DESFire CSN only)
- **ISO14443B** (Calypso)
- **PicoPass** (HID iClass CSN, Picopass)
- **FeliCa** (Standard, Lite)
- **ST SR** (SR, SRI, SRIX)
- **HID PAC** (HID SEOS, HID iClass SE, iClass SR, HID MIFARE DES-Fire with SIO, HID MIFARE Classic with SIO)
- **My2N**
- **2N PICard**



### Part No. 9155039

Axis Part No. 01261-001

2N IP Verso – Blind Panel

The blind panel module helps fill up redundant space in installations.

The main unit is supplied with one blind panel module.



### Part No. 9155034

Axis Part No. 01257-001

I/O Module

The module provides logical inputs and outputs for integration of sensors or other devices.

The module is installed under another module, i.e. needs no separate position.

## Product Description



### **Part No. 9155037**

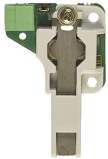
Axis Part No. 01259-001

Wiegand Module

The Wiegand module helps you interconnect your system with other systems via the Wiegand interface.

The module is installed under another module, i.e. needs no separate position.

---



### **Part No. 9155038**

Axis Part No. 01260-001

Tamper Switch

Tamper Switch is a module which detects that the device has been opened or the top cover removed.

The module is installed under another module, i.e. needs no separate position.

Remember to purchase the I/O module (9155034, 01257-001), along with the Tamper Switch.

---



### **Part No. 9159010**

Axis Part No. 01386-001

Security Relay

A handy add-on that significantly enhances security. It prevents lock tampering.

To be installed between the protected device from which it is also powered and the lock controlled by it.

---



### **Part No. 9155198SET**

Axis Part No. 01975-001

Security Package for 2N Devices

The security package provides increased door security.

The safety package includes a safety relay, a protection switch and an I/O module.

## Power Supply



**Part No. 91378100E (with EU cable)**

**Part No. 91378100US (with US cable)**

Axis Part No. 01403-001

One-port PoE injector

For intercom supply via Ethernet cable where the PoE switch is absent.

---



**Part No. 91341481E (with EU cable)**

**Part No. 91341481US (with US cable)**

Axis Part No. 02520-001

Stabilized 12 V / 2 A power supply

The supply must be used where PoE is not used.

## Licenses



**Part No. 9137909**

Axis Part No. 01380-001

Gold License

Includes the Enhanced Video, Enhanced Integration and Lift Control licenses.

---



**Part No. 9137910**

Axis Part No. 01381-001

InformaCast License



### TIP

- Please refer to the local 2N distributor for more accessories and recommendations.

## Other accessories

## Product Description

### Part No. 9159013



Axis Part No. 02523-001

Departure button

The departure button is connected to the device logic input for opening the door from inside the building.

---

### Part No. 9159012



Axis Part No. 01388-001

Magnetic door contact

Set for installation on a door, enabling the status of door opening to be ascertained. Used where the device is used for door protection, open door detection or forced opening.

---

### Part No. 9134173



Axis Part No. 01384-001

MIFARE RFID chip card, 13.56 Hz

RFID chip card, MIFARE Classic 1k, 13.56 MHz.

---

### Part No. 9134174



Axis Part No. 01385-001

MIFARE RFID chip fob, 13.56 MHz

RFID chip fob, MIFARE Classic 1k, 13.56 MHz.

---

### Part No. 9134165E



Axis Part No. 01395-001

EM RFID chip card, 125 Hz

RFID chip card, type EM4100, 125 kHz.

---

## Product Description



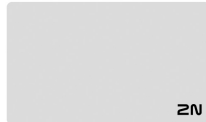
### **Part No. 9134166E**

Axis Part No. 01396-001

EM RFID chip fob, 125 kHz

RFID chip fob, type EM4100, 125 kHz.

---



### **Part No. 11202601**

Axis Part No. 02787-001

MIFARE DESFire RFID chip card, 13.56 MHz

RFID chip fob, type MIFARE DESFire EV3 4 K, 13.56 MHz (ISO/IEC14443A).

Suitable for data encryption in PICard Commander.

The package includes 10 pieces.

---



### **Part No. 11202602**

Axis Part No. 02788-001

MIFARE DESFire RFID fob, 13.56 MHz

RFID fob, type MIFARE DESFire EV3 4 K, 13.56 MHz (ISO/IEC14443A).

Suitable for data encryption in PICard Commander.

The package includes 10 pieces.

---



### **Part No. 9137420E**

Axis Part No. 01399-001

External RFID reader, 125 kHz

External RFID card reader connectable to a PC via a USB interface.

Suitable for system administration and adding of EM41xx cards (125 kHz) using the device web configuration or PICard Commander.

---

## Product Description



### Part No. 9137421E

Axis Part No. 01399-001

External RFID reader, 13.56 MHz + 125 kHz, NFC/HCE

External RFID card reader connectable to a PC via a USB interface.

Suitable for system administration and adding of 13.56 MHz/125 kHz cards and Android devices with NFC/HCE support using the device web configuration or the Access Commander.

Suitable for uploading of MIFARE DESFire cards into the PICard Commander encryption application.

The following RFID cards can be read:

Supported RFID cards 125 kHz:

- EM4x02
- HID Prox

Supported RFID cards 13.56 MHz:

- **ISO14443A** (MIFARE Classic, MIFARE Plus, MIFARE Mini, MIFARE Ultralight, MIFARE DESFire CSN only)
- **ISO14443B** (Calypso)
- **PicoPass** (HID iClass CSN, Picopass)
- **FeliCa** (Standard, Lite)
- **ST SR** (SR, SRI, SRIX)
- **My2N**
- **2N PICard**

The device can also read the 13.56 MHz 2N PICard RFID cards.

---

## Product Description



### Part No. 9137424E

Axis Part No. 01527-001

External secured RFID reader, 13.56 MHz + 125 kHz, NFC/HCE

External secured RFID card reader connectable to a PC via a USB interface.

Suitable for system administration and adding of 13.56 MHz/125 kHz cards and Android devices with NFC/HCE support using the device web configuration or the Access Commander.

Suitable for uploading of MIFARE DESFire cards into the PICard Commander encryption application.

The following RFID cards can be read:

Supported RFID cards 125 kHz:

- EM4x02
- HID Prox

Supported RFID cards 13.56 MHz:

- **ISO14443A** (MIFARE Classic, MIFARE Plus, MIFARE Mini, MIFARE Ultralight, MIFARE DESFire CSN only)
- **ISO14443B** (Calypso)
- **PicoPass** (HID iClass CSN, Picopass)
- **FeliCa** (Standard, Lite)
- **ST SR** (SR, SRI, SRIX)
- **HID PAC** (HID SEOS, HID iClass SE, iClass SR, HID MIFARE DESFire with SIO, HID MIFARE Classic with SIO)
- **My2N**
- **2N PICard**

---

### Part No. 9137410E



Axis Part No. 01397-001

External IP relay, 1 output

Stand-alone IP relay, which can be controlled from an intercom via HTTP commands and helps control devices from an unlimited distance.

---

## Product Description

### Part No. 9159014EU/US/UK



Axis Part No. 01404-001

2N 2Wire (set of 2 adaptors and power source for EU/US/UK)

The 2N 2Wire converter allows you to use the existing 2-wire cabling from your original doorbell or door intercom for connecting any IP device. You do not have to configure anything, all you need is one 2N 2Wire unit at each end of the cable and a power supply connected to at least one of these units. The 2N 2Wire unit then provides PoE power not only to the second converter, but to all of the connected IP end devices.

---

### Part No. 1120103/1120103EU



Axis Part No. 02318-001

NVT PoLRE LPC Switch

The switch provides an IP solution with analog cabling.

The package includes 2 SIP adapters. Additional adapters can be ordered (1120104, 02319-001).

---

### Part No. 1120104

Axis Part No. 02319-001

NVT PhyLink Adapter

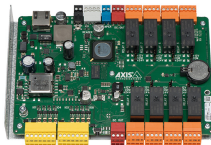


SIP adapter for switch use (1120103, 02318-001).

The package includes 6 pieces.

---

### Part No. 9160501



Axis Part No. 0820-001

AXIS A9188 Network I/O Relay Module

The relay is part of the lift access solution. One relay can control up to 8 floors. Intercom or access unit can be interconnected with up to 8 AXIS A9188 lift relays. The solution is thus suitable for up to 64 floors.

---

### Part No. 9155051



Axis Part No. 01270-001

2N Access Unit QROne-button blind

The one-button blind helps blind a button on the main unit.

## Product Description



### Part No. 9155051B

Axis Part No. 01523-001

**2N Access Unit QR** One-button blind, black version

The one-button blind helps blind a button on the main unit.



### Part No. 9154004

Axis Part No. 01479-001

Water-proof metal button

Suitable for internal RFID card reader.

## Package Completeness Check

Please check the product delivery before installation. Contents:

1x **2N Access Unit QR**

1x Certificate of ownership

1x Brief Manual

2x Frame fitting

## Module / Frame Package Completeness Check

The package of modules for **2N Access Unit QR** includes:

3x 3 x 8 mm stainless steel thread-forming lens head screw for plastic

The package of frames for **2N Access Unit QR** includes:

**Part Nos. 9155011, 9155011B, 9155012, 9155012B, 9155013, 9155013B**

**Axis Part Numbers 01278-001, 01279-001, 01280-001, 01281-001, 01282-001, 01283-001**

3x 4 x 20 mm stainless steel thread-forming lens head screw for plastic

## Product Description

**Part Nos. 9155021, 9155021B, 91555022, 9155022B, 9155023, 9155023B**

**Axis Part Numbers 01287-001, 01288-001, 01289-001, 01290-001, 01291-001, 01292-001**

---

2x 4 x 50 mm stainless steel flat head screw

---

2x 8 x 40 mm dowel

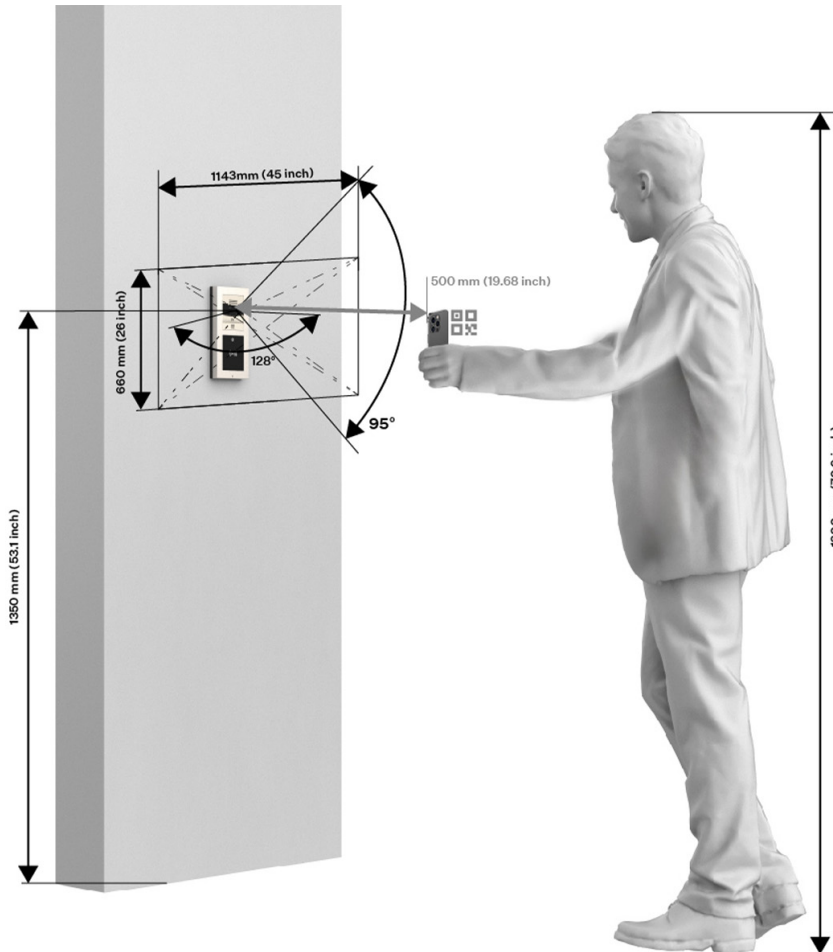


### **CAUTION**

If spare accessories other than the specified types are used, the device warranty might become null and void.

# Installation

For optimum functionality, it is recommended that the device is placed at a height according to the following scheme:



## Mechanical Installation

### Installation Conditions

**Make sure that the following 2N Access Unit QR installation conditions are met.**

- There must be enough space for the device installation.
- Make sure that the dowel holes have the required diameter. If the diameters are too large, the dowels may get loose! Use the mounting glue to secure the dowels if necessary.
- Do not use low-quality dowels to avoid their falling out of the wall!
- Make sure that the depths of the dowel holes are accurate!
- Before starting the mechanical installation on a selected place, make sure carefully that the preparations associated with it (drilling, wall cutting) cannot damage the electrical, gas, water and other existing wires and pipes.
- The device is designed for vertical wall mounting (perpendicular to the floor) in the height of up to 1350 mm above the floor. If necessary, operate the device in a position other than as aforementioned for a short time only, for quick testing purposes in a servicing center, for example.

## Installation

- Make sure that the plasterboard interior does not show a pressure value significantly different from that of the room, e.g. that it is not connected with overpressure ventilation. If the difference is too great, separate the device in terms of pressure (using, e.g., a mounting box) and seal the cable passage.
- The device is not designed for environments with increased vibrations such as means of transport, machine rooms and so on.
- The device is not intended for dusty environments and places with unstable humidity and abrupt temperature changes.
- The device may not be exposed to aggressive gas, acid vapors, solvents, etc.
- The device is not intended for direct connection into the Internet/WAN. The device must be connected to the Internet/WAN via a separating active network element (switch/router).
- The device cannot be operated on places exposed to direct sunshine and near heat sources.
- Keep some free space above and below the device to allow air to flow and conduct heat away.
- Having removed the front panel, make sure that no dirt gets inside the product, especially onto the sealing surface.
- Avoid strong electromagnetic radiation on the installation site.
- Make sure that the VoIP connection is configured properly according to the SIP and other VoIP recommendations.



### WARNING



- Make sure that the main unit is not removed from its base, that is why never remove the marked screw covered in resin in the right-hand upper corner. Any screw tampering results in the warranty becoming null and void.
- The grounding element in the left-hand upper corner of the unit must remain undamaged and stuck all the time.



- It is forbidden to use silicone or any other sealing material on the marked and hatched places.



### CAUTION

- When the proper installation instructions are not met, water might get in and destroy the electronics. As the device circuits are constantly under voltage water leakage causes electrochemical reaction. The manufacturer's warranty shall be void for products damaged in this way!
- Exceeding the allowed operating temperature may not affect the device immediately but leads to premature ageing and lower reliability. For the acceptable range of operating temperatures and relative humidity values refer to [S. Technical Parameters](#).
- Any intentional mechanical damage to the device (drilling, main unit tampering, etc.) results in a loss of warranty.
- The device installation and setting should only be performed by professionally qualified persons.
- The installation and adjustment of this device, including any handling thereof, should only be carried out by persons qualified to do so.

### Installation Tips

- The recommended height is 135 cm for standard installations (100–120 cm for disabled persons) from the floor to the device camera level. The installation heights may vary depending on the device use.

Viewing angle

125° (H), 105° (V)

### Flush mounting

While flush mounting, make sure that the box is installed properly, i.e. with the box edge on the wall surface. There are stops on the box sides to secure a proper position. Remember to break them off after walling in. Make sure that the frame is placed precisely on the box without touching the wall to make the sealing fully functional. Refer to the detailed pictorial instructions inside the package.



### WARNING



It is forbidden to use silicone or any other sealing material on the marked and hatched places (on the device bottom in particular).

**Flush mounting – into classic bricks, hollow bricks, thermally insulated fronts, etc.**

What you need for mounting:

- **2N Access Unit QR**
- a properly cut hole as instructed in the box package
- plaster, mounting glue, mounting foam or mortar as necessary
- flush mounting box and frame
  - for 1-modules: box (9155014, 01284-001) frame (9155011/9155011B, 01278-001/01279-001)
  - for 2-modules: box (9155015, 01285-001), frame (9155012/9155012B, 01280-001/01281-001)
  - for 3-modules: box (9155016, 01286-001), frame(9155013/9155013B, 01282-001/01283-001)

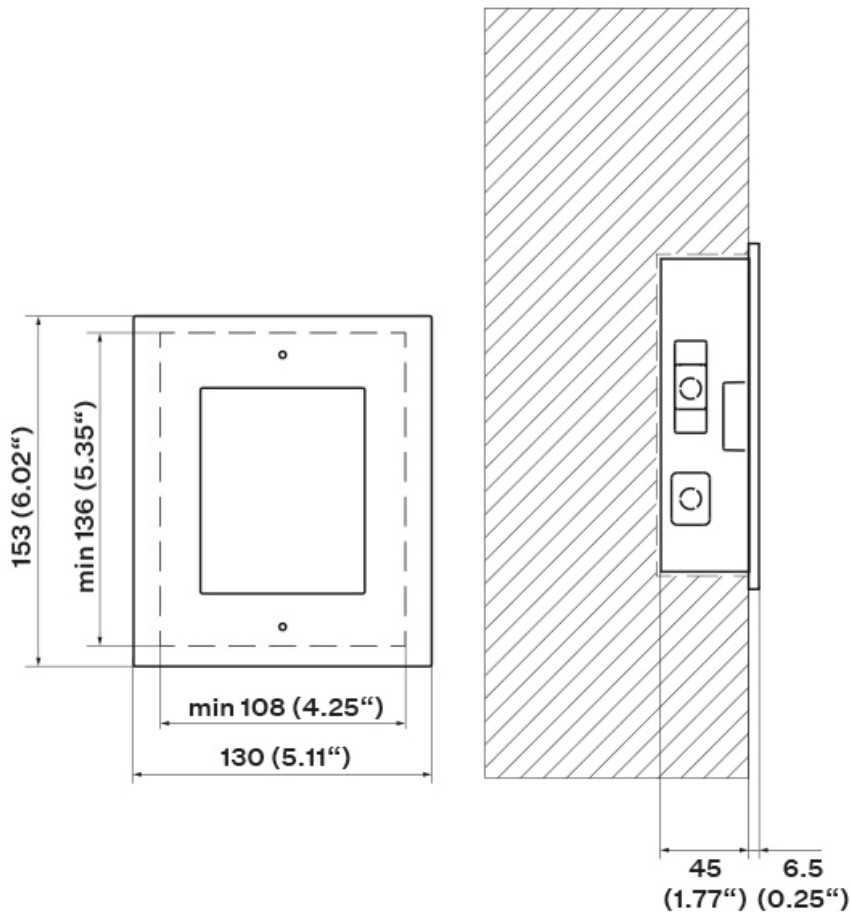


**NOTE**

The one-module frame is designed for stand-alone installations of extending modules such as OUT readers, etc. A 2-module frame is required for the main unit installation.

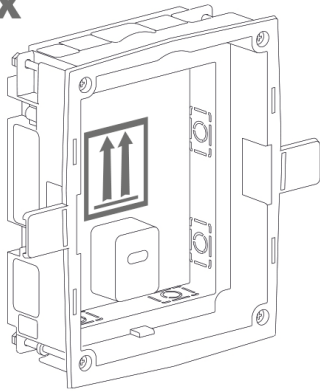
To install a device **2N Access Unit QR** into a wall, mount the flush mounting box first. Then install the device into it.

**1-Module Installation**



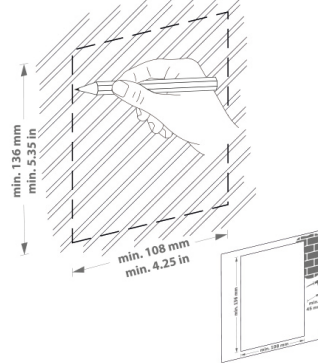
Box Installation

1x

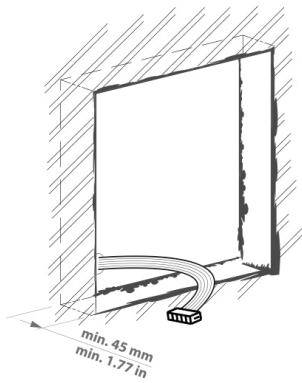


1.

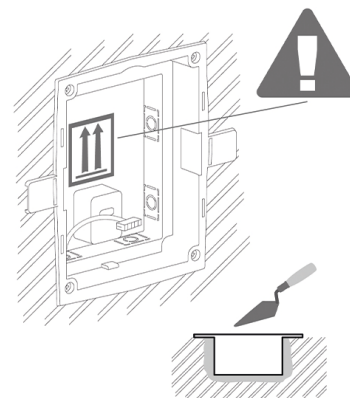
min 108(W) x 136(H) x 45(D) mm  
min 4.25(W) x 5.35(H) x 1.77(D) in



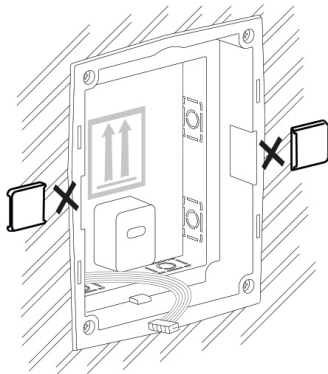
2.



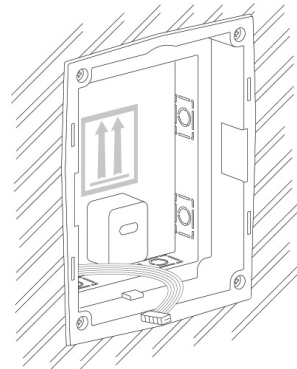
3.



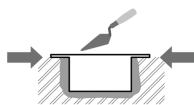
4.



5.



**WARNING**

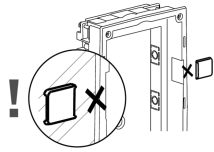


Make sure that the flush mounting box edges are not aligned with the wall but overlap the wall surface. When the proper box installation instructions are not met, water might get in and destroy the device installed. Side stops are used for a correct wall position.



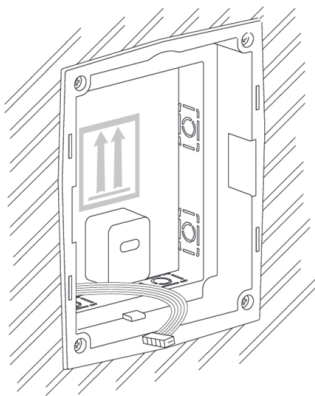
**CAUTION**

When the walling material has hardened, break off the side stops.

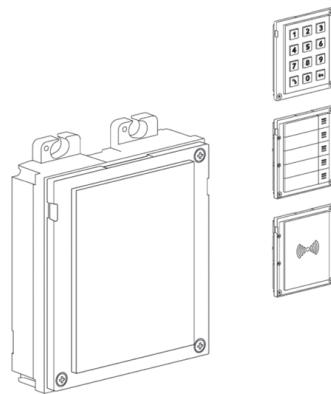


**1-Module Installation into Box**

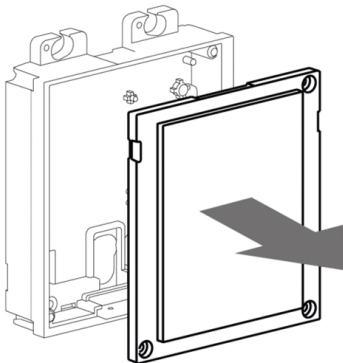
1.



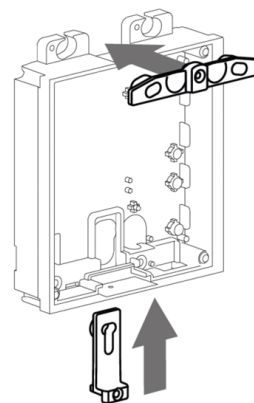
2.



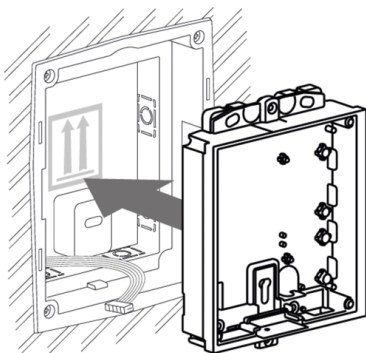
3.



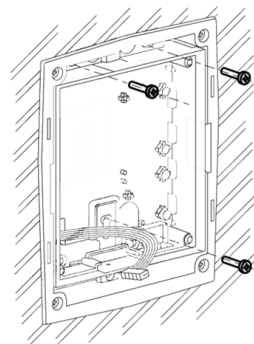
4.



5.

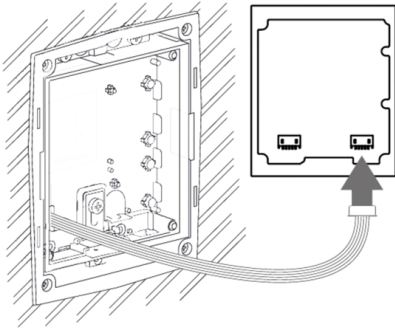


6.

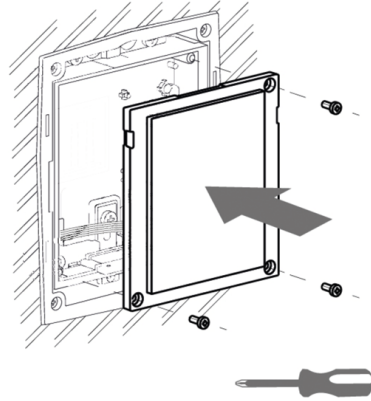


## Installation

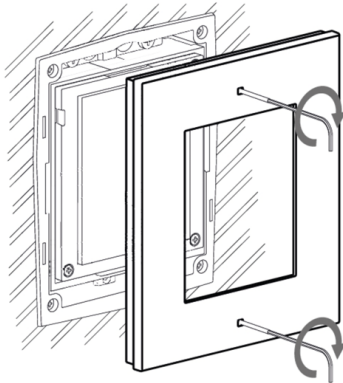
7.



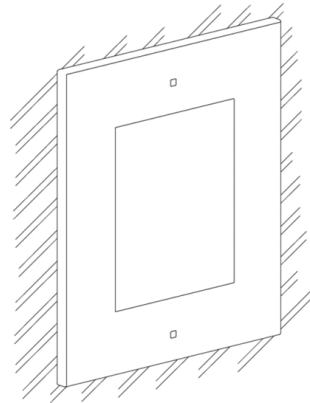
8.



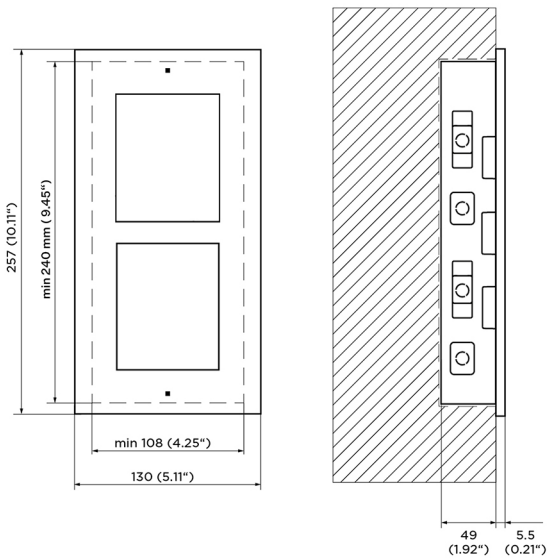
9.



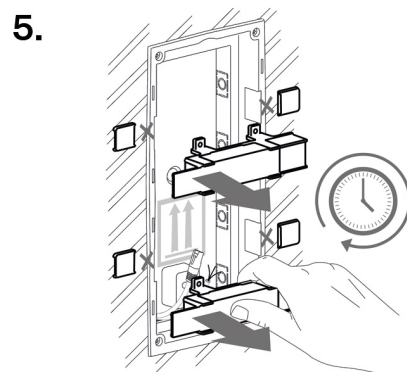
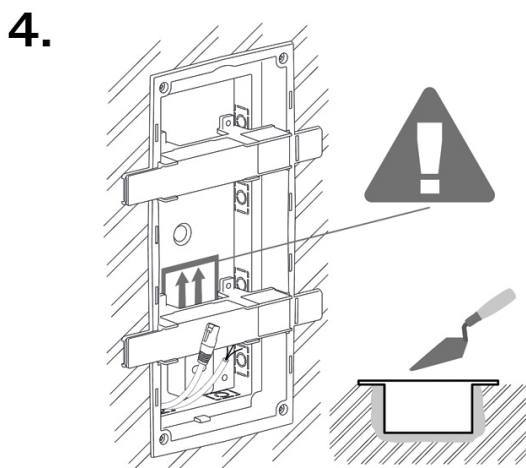
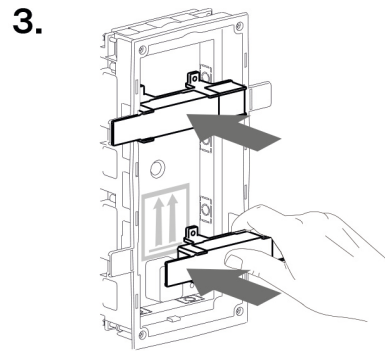
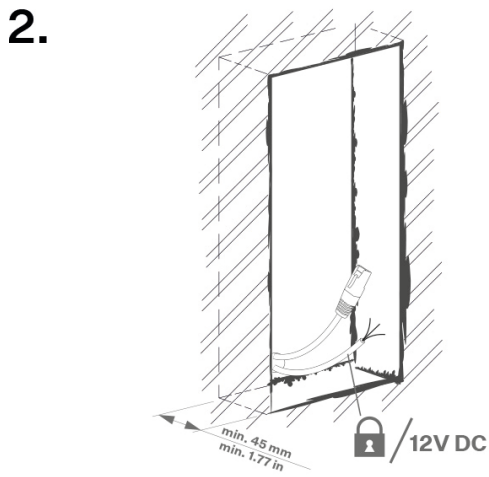
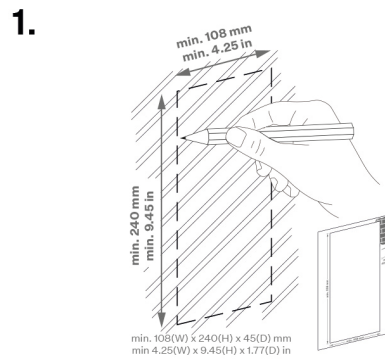
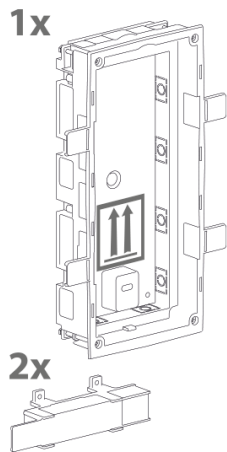
10.



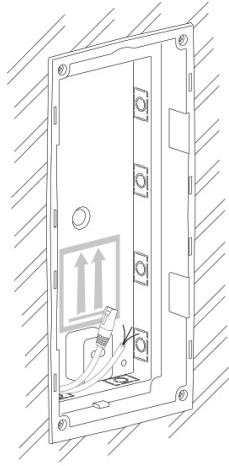
## 2-Module Installation



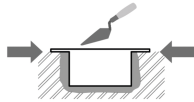
Box Installation



6.



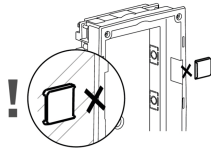
**WARNING**



Make sure that the flush mounting box edges are not aligned with the wall but overlap the wall surface. When the proper box installation instructions are not met, water might get in and destroy the device installed. Side stops are used for a correct wall position.



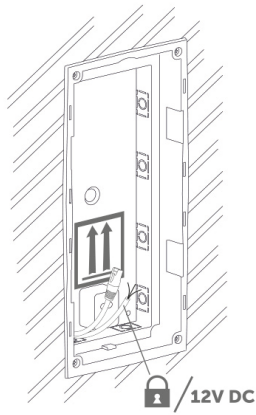
**CAUTION**



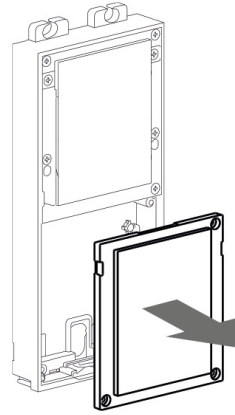
When the walling material has hardened, break off the side stops.

### 2-Module Installation into Box

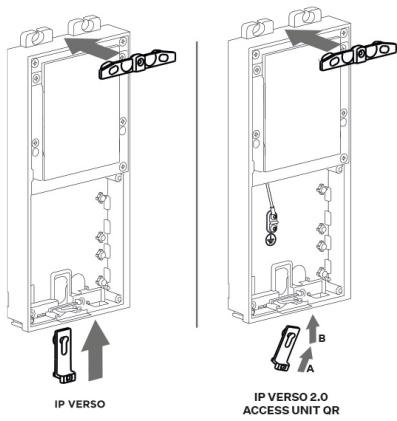
1.



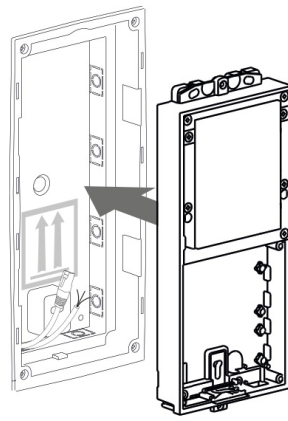
2.



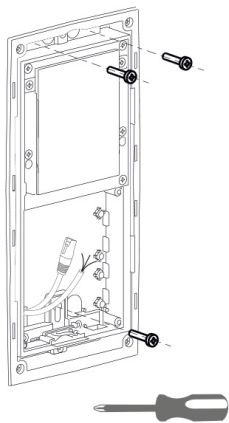
3.



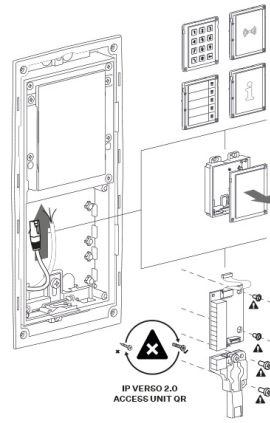
4.



5.

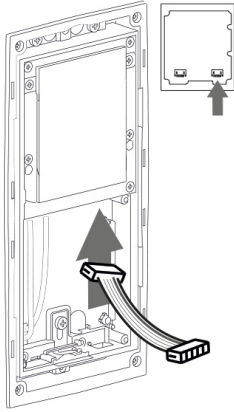


6.

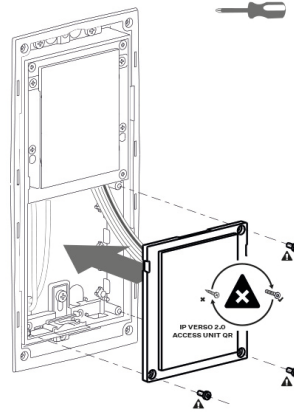


# Installation

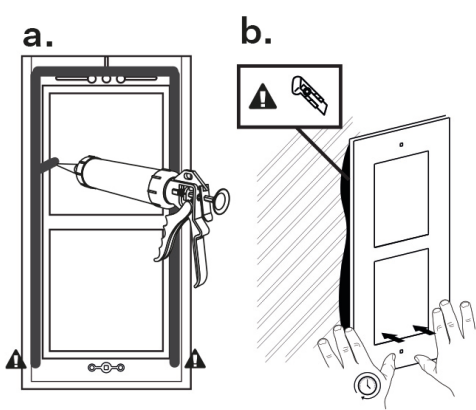
7.



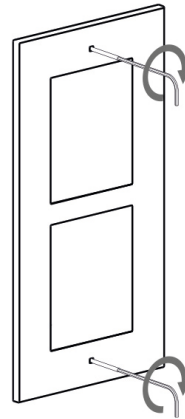
8.



9.

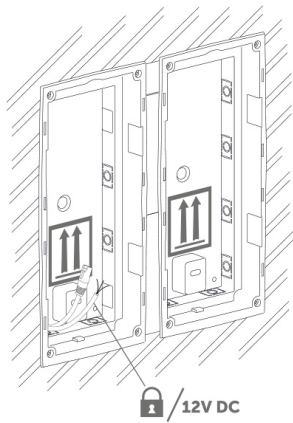


10.

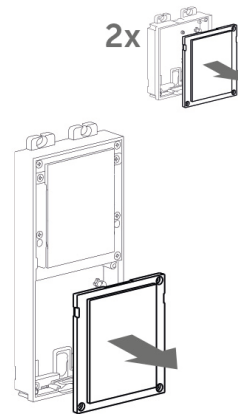


## Installation of Multiple 2-Modules into Box

1.

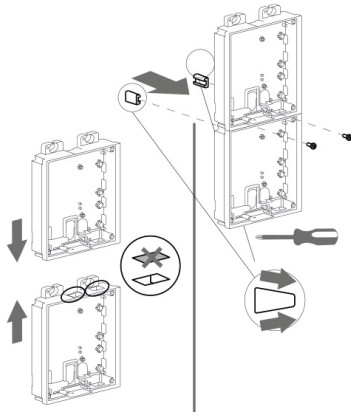


2.

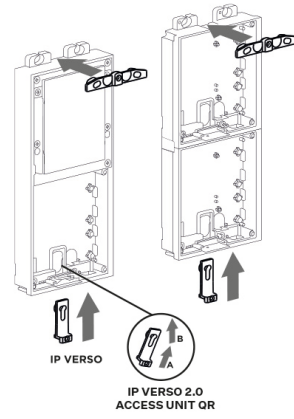


# Installation

3.



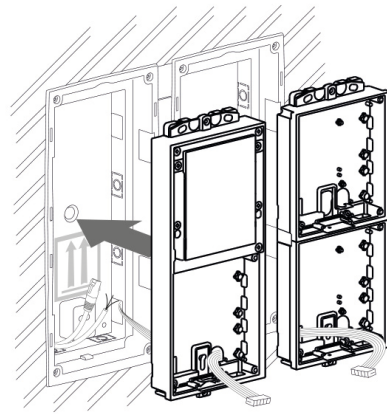
4.



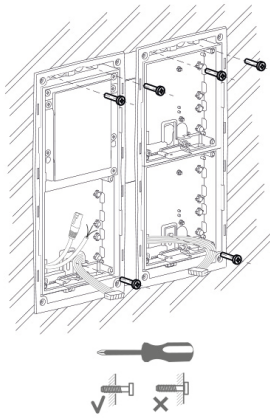
5.



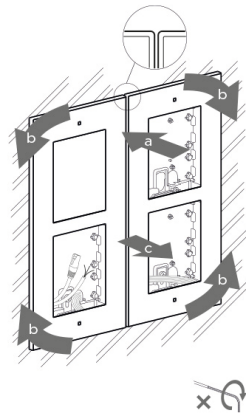
6.



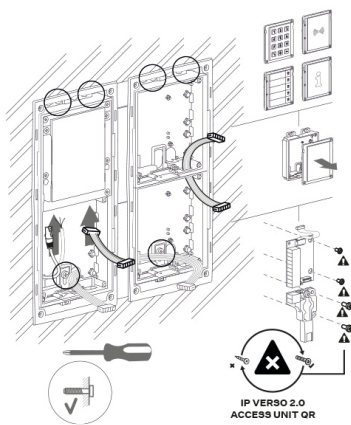
7.



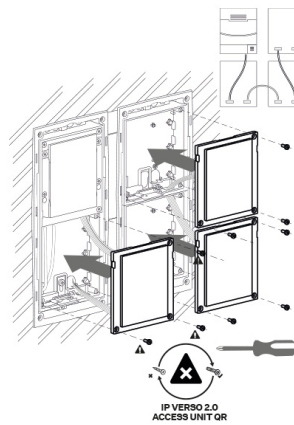
8.

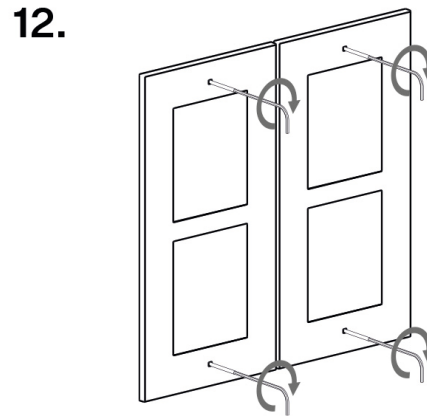
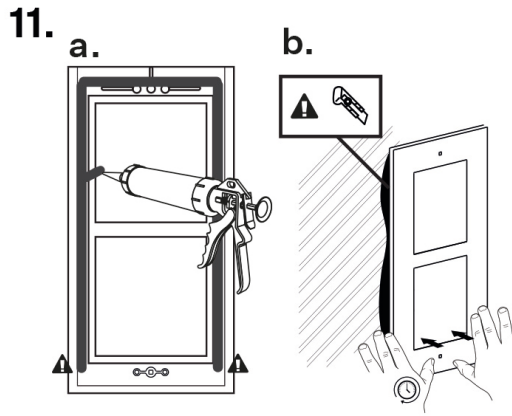


9.



10.





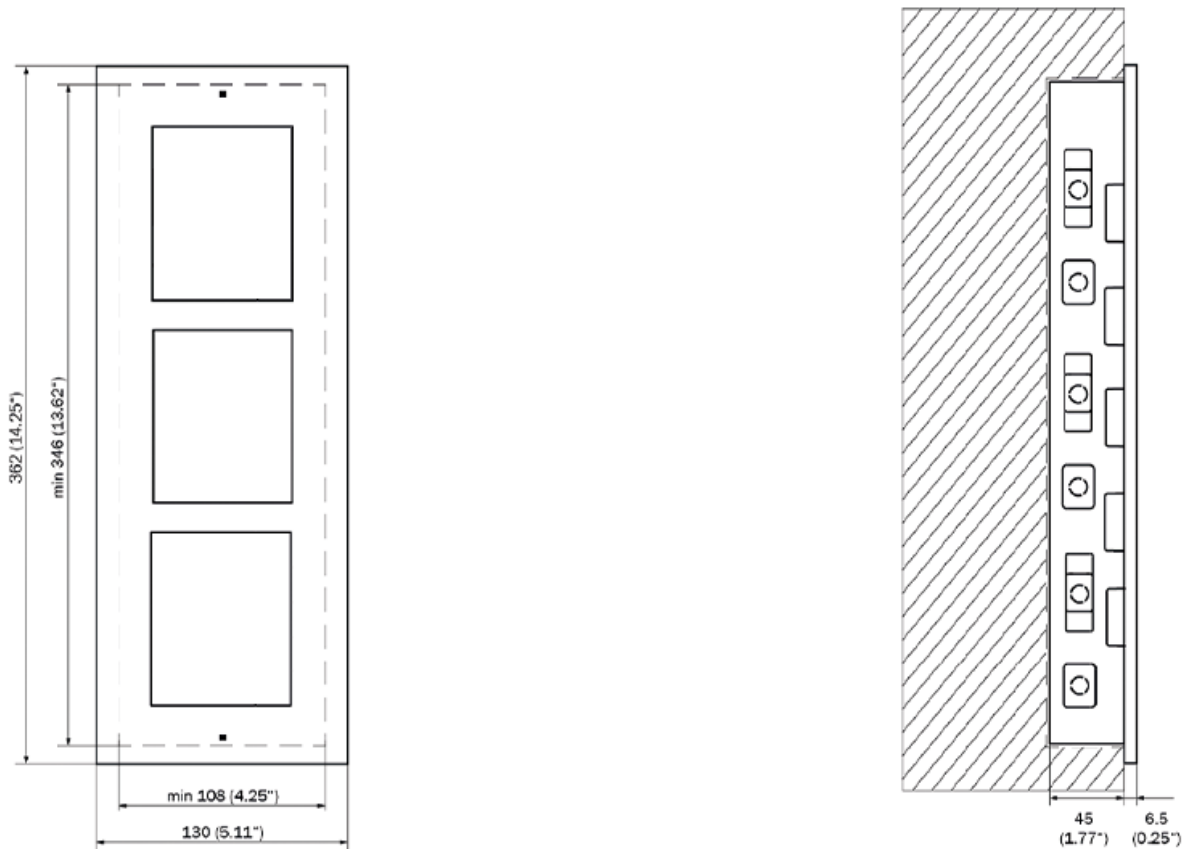
### Frame Attachment

Check the frame sealing before fitting the frame.

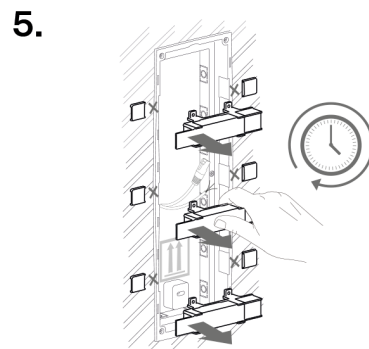
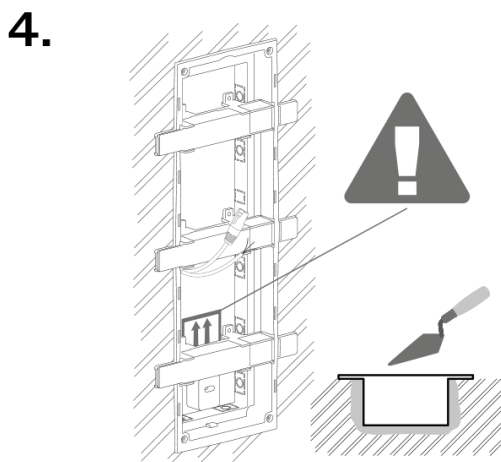
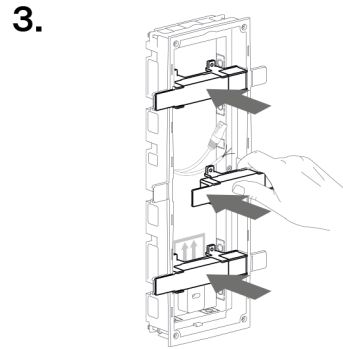
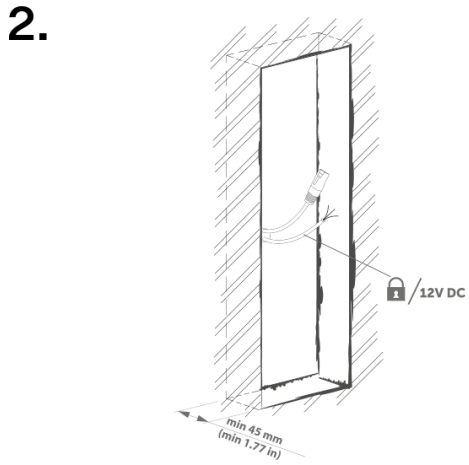
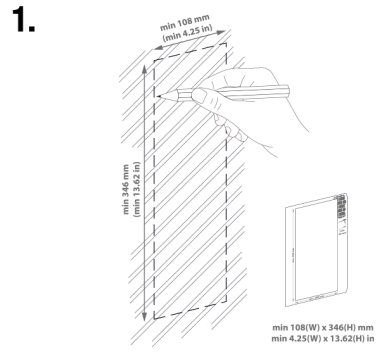
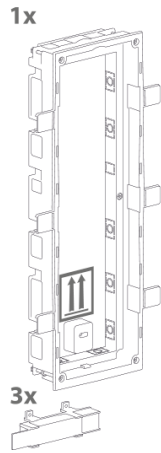
Screw the flush mounting frame in the upper and bottom parts.

Hang the surface mounting frame on the hook in the upper part and then screw it tight in the bottom part.

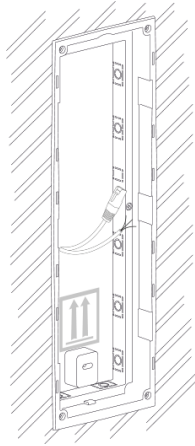
### 3-Module Installation



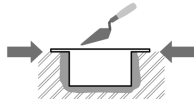
Box Installation



6.



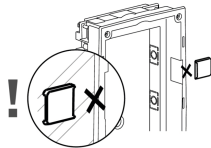
**WARNING**



Make sure that the flush mounting box edges are not aligned with the wall but overlap the wall surface. When the proper box installation instructions are not met, water might get in and destroy the device installed. Side stops are used for a correct wall position.

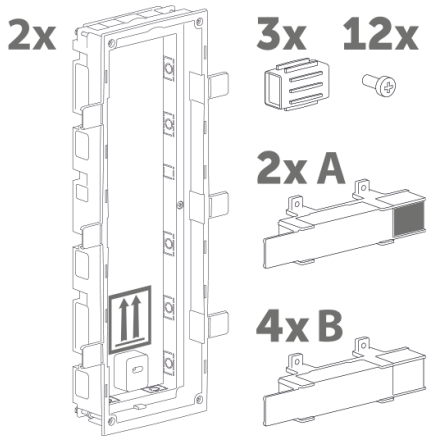
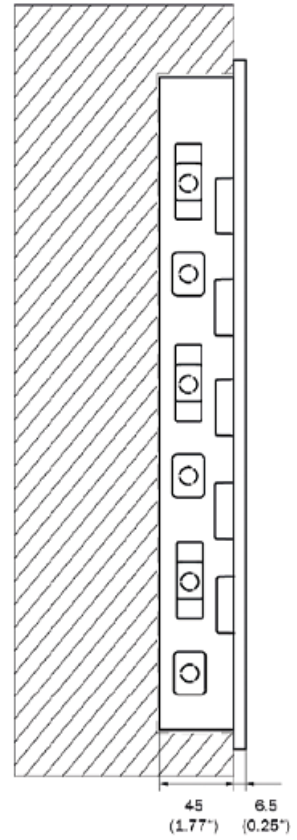
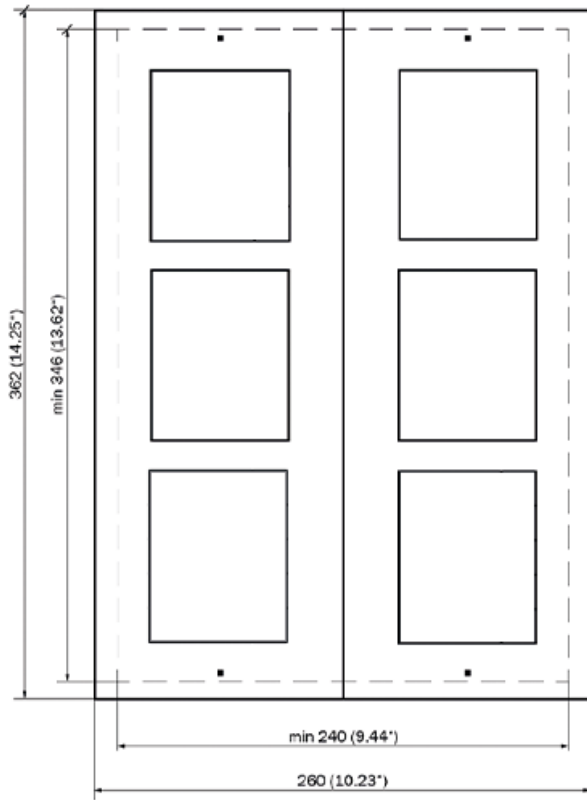


**CAUTION**

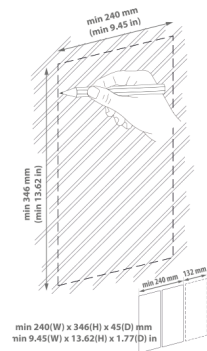


When the walling material has hardened, break off the side stops.

**Installation of Multiple 3-Module Boxes Next to Each Other**

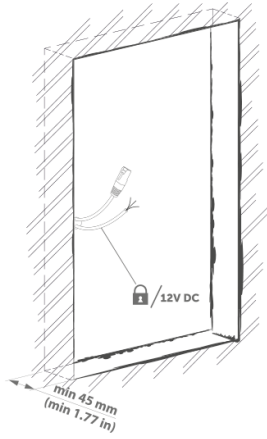


1.

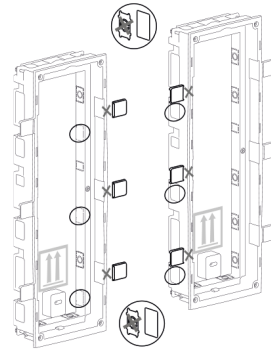


# Installation

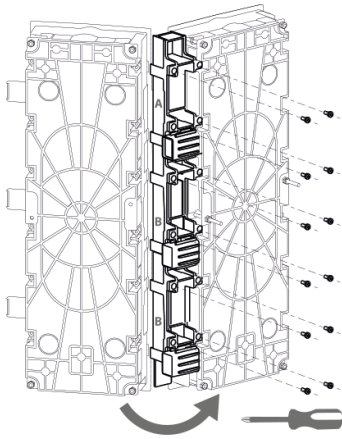
2.



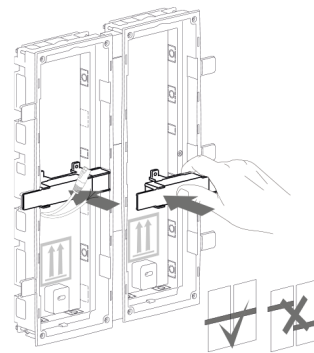
3.



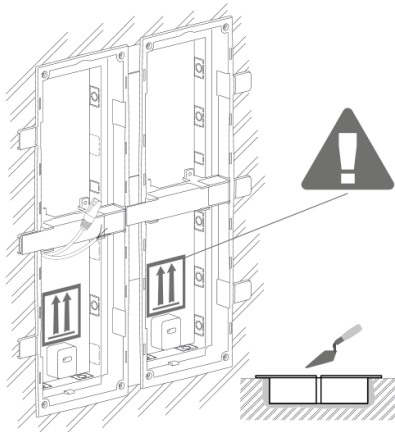
4.



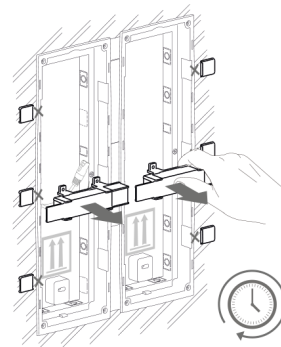
5.



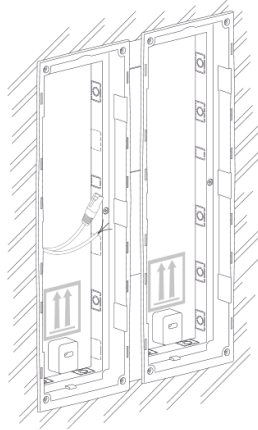
6.



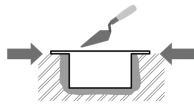
7.



8.



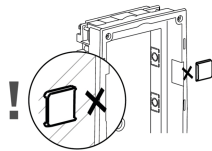
**WARNING**



Make sure that the flush mounting box edges are not aligned with the wall but overlap the wall surface. When the proper box installation instructions are not met, water might get in and destroy the device installed. Side stops are used for a correct wall position.



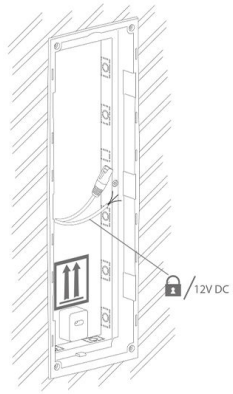
**CAUTION**



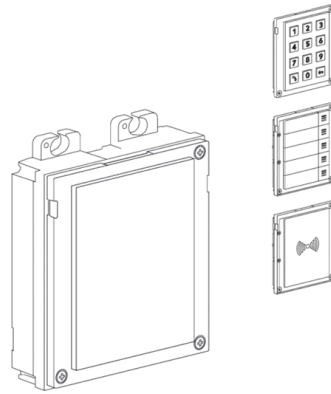
When the walling material has hardened, break off the side stops.

### 3-Module Installation into Box

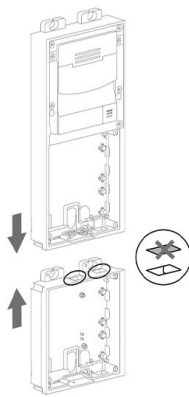
1.



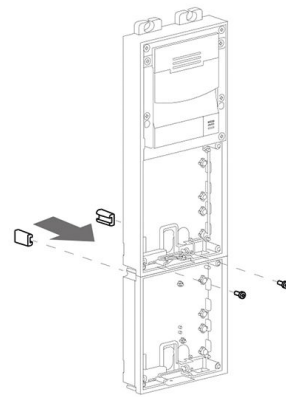
2.



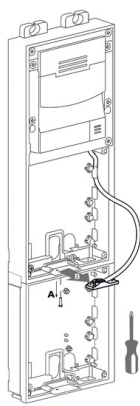
3.



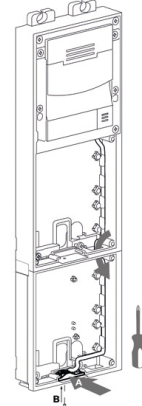
4.



5.

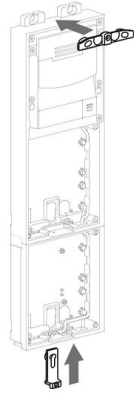


6.

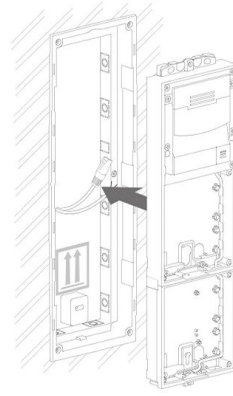


## Installation

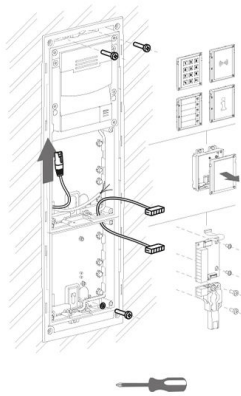
7.



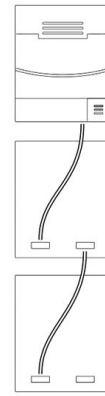
8.



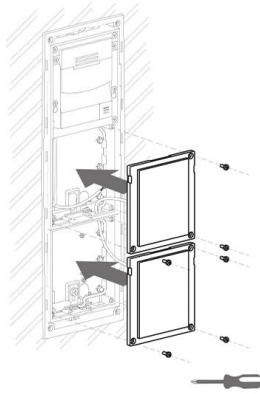
9.



10.



11.



12.



### Frame Attachment

Check the frame sealing before fitting the frame.

Screw the flush mounting frame in the upper and bottom parts.

Hang the surface mounting frame on the hook in the upper part and then screw it tight in the bottom part.

## Flush mounting – into plasterboard

What you need for mounting:

- **2N Access Unit QR**
- a properly cut hole as instructed in the box package
- flush mounting box and frame
  - for 1-modules: box (9155014, 01284-001) frame (9155011/9155011B, 01278-001/01279-001)
  - for 2-modules: box (9155015, 01285-001), frame (9155012/9155012B, 01280-001/01281-001)
  - for 3-modules: box (9155016, 01286-001), frame(9155013/9155013B, 01282-001/01283-001)

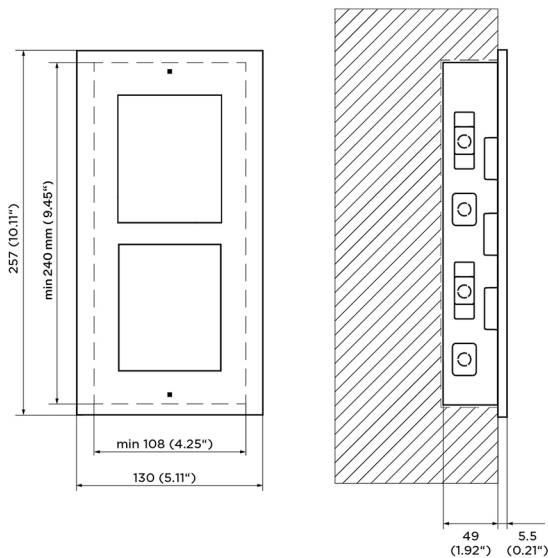


### NOTE

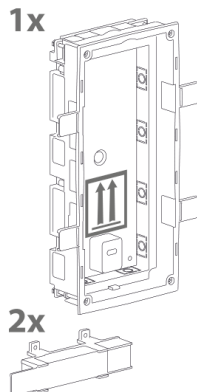
The one-module frame is designed for stand-alone installations of extending modules such as OUT readers, etc. A 2-module frame is required for the main unit installation.

To install a device **2N Access Unit QR** into a wall, mount the flush mounting box first. Then install the device into it.

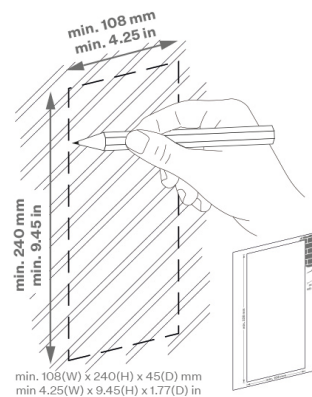
### 2-Module Installation



### Box Installation

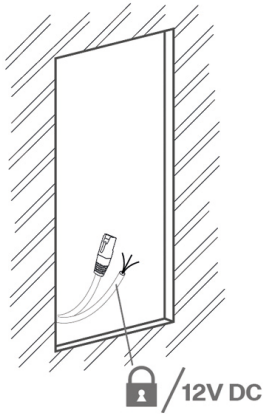


1.

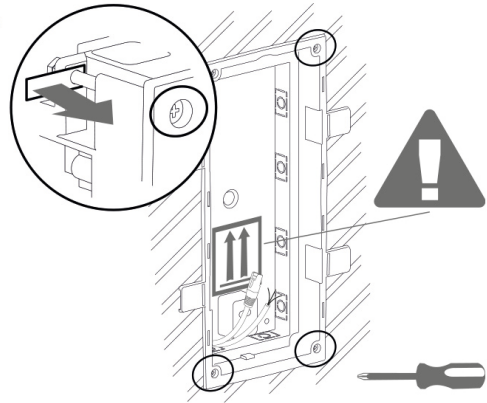


## Installation

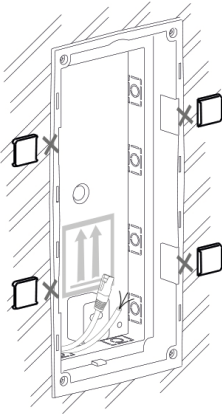
2.



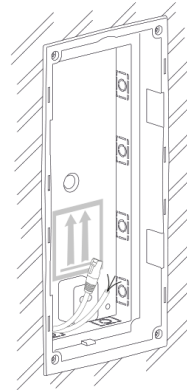
3.



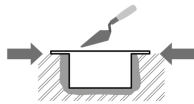
4.



5.



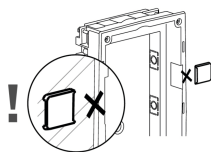
### WARNING



Make sure that the flush mounting box edges are not aligned with the wall but overlap the wall surface. When the proper box installation instructions are not met, water might get in and destroy the device installed. Side stops are used for a correct wall position.



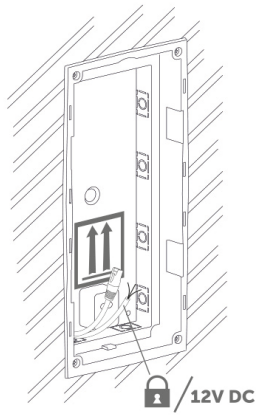
### CAUTION



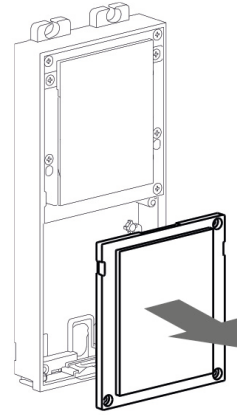
When the walling material has hardened, break off the side stops.

### 2-Module Installation into Box

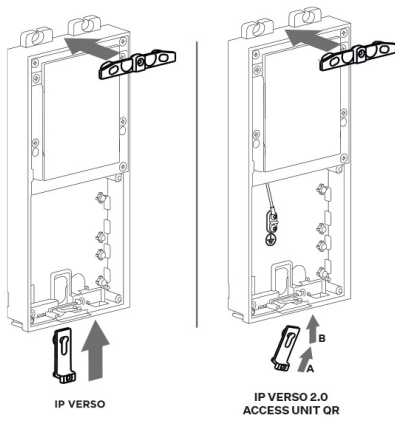
1.



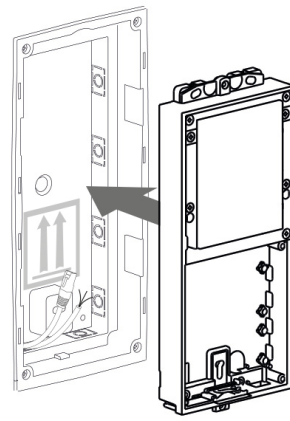
2.



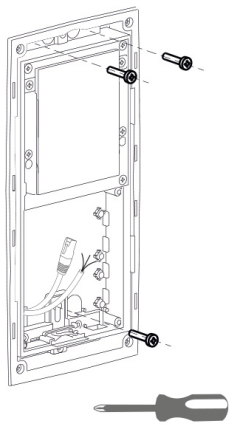
3.



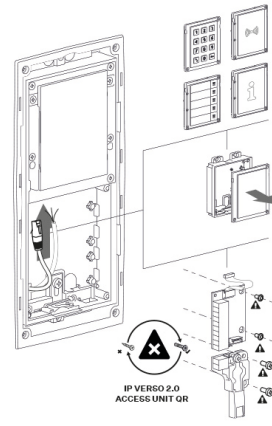
4.



5.

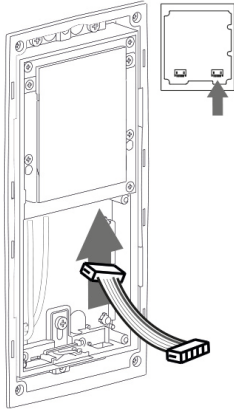


6.

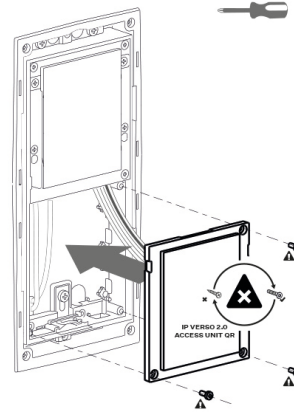


## Installation

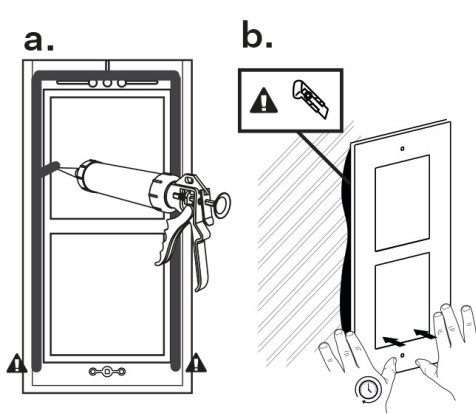
7.



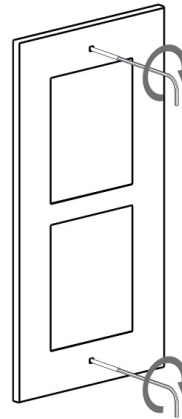
8.



9.



10.



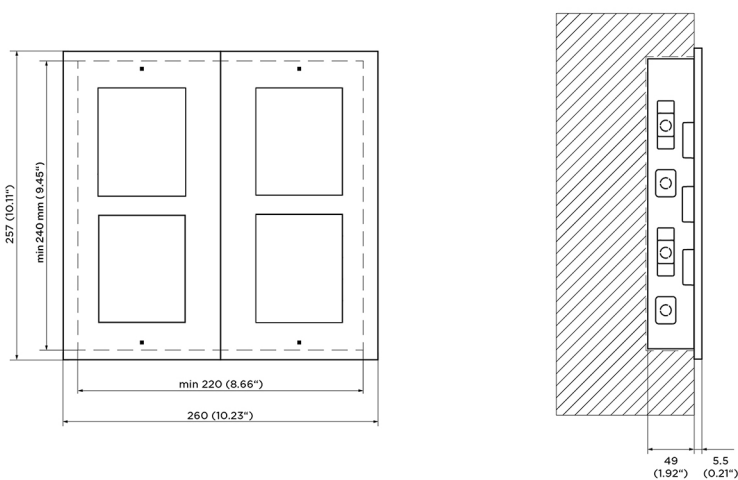
### Frame Attachment

Check the frame sealing before fitting the frame.

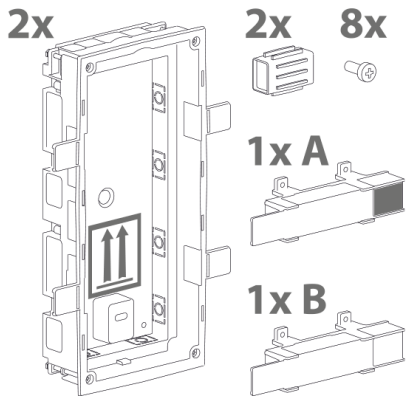
Screw the flush mounting frame in the upper and bottom parts.

Hang the surface mounting frame on the hook in the upper part and then screw it tight in the bottom part.

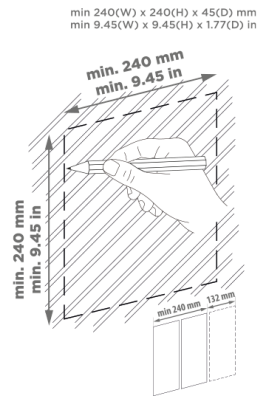
### Installation of Multiple 2-Module Boxes Next to Each Other



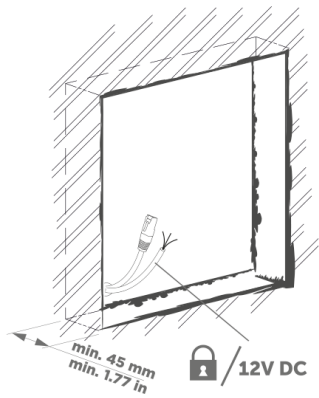
# Installation



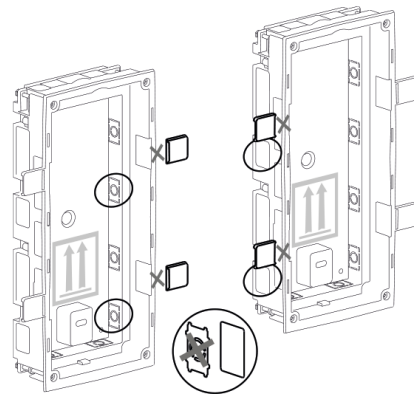
**1.**



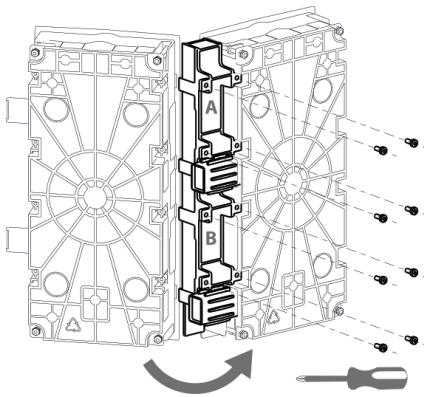
**2.**



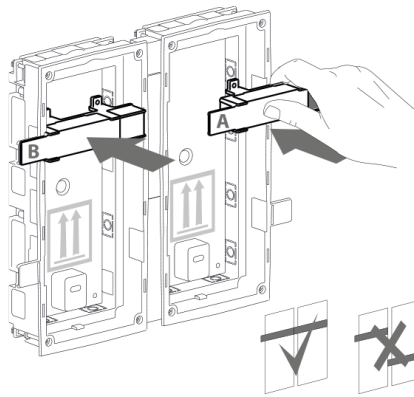
**3.**



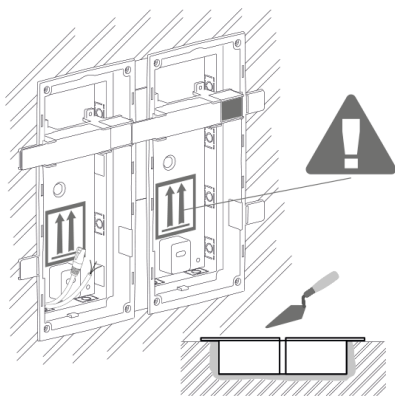
**4.**



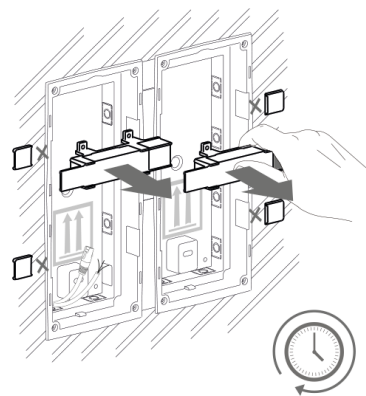
**5.**



**6.**

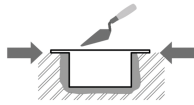


**7.**





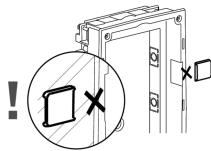
**WARNING**



Make sure that the flush mounting box edges are not aligned with the wall but overlap the wall surface. When the proper box installation instructions are not met, water might get in and destroy the device installed. Side stops are used for a correct wall position.



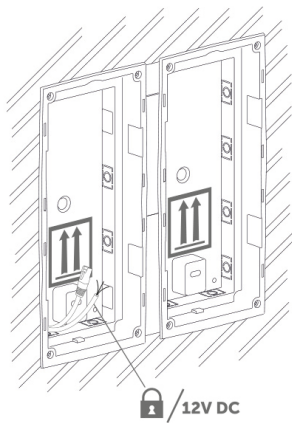
**CAUTION**



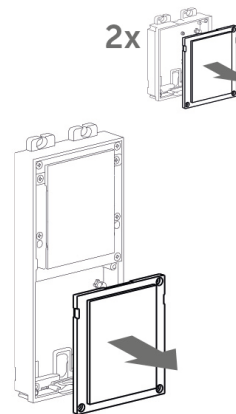
When the walling material has hardened, break off the side stops.

**Installation of Multiple 2-Modules into Box**

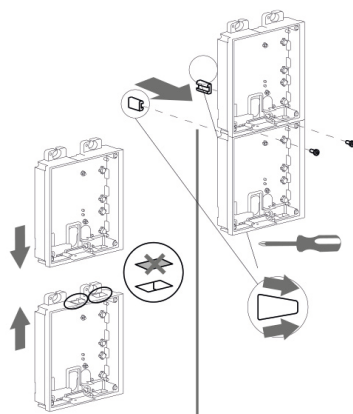
1.



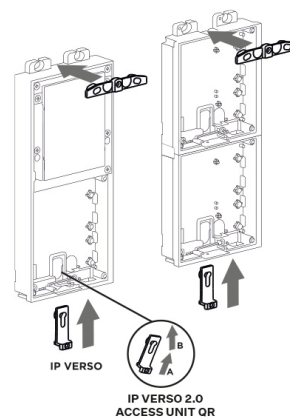
2.



3.



4.

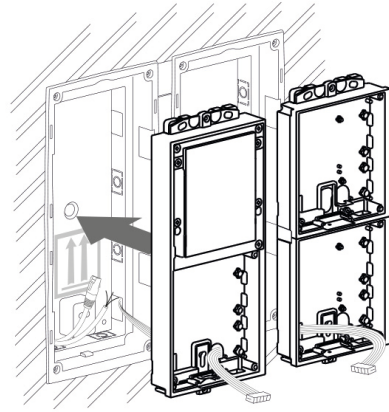


# Installation

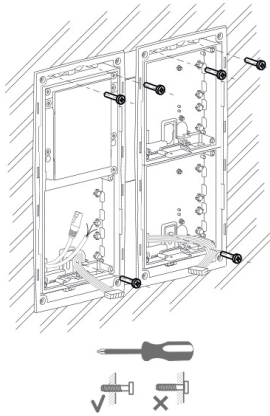
5.



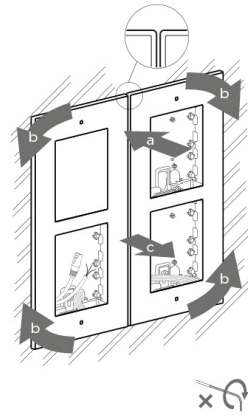
6.



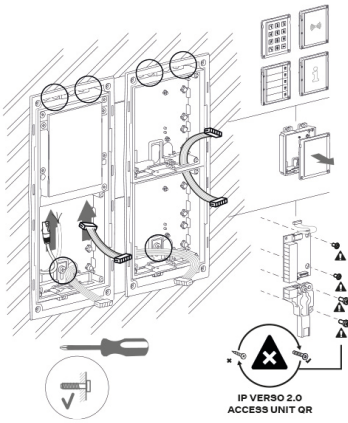
7.



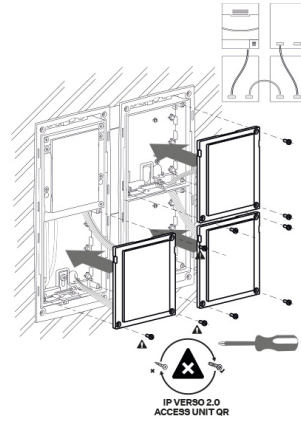
8.



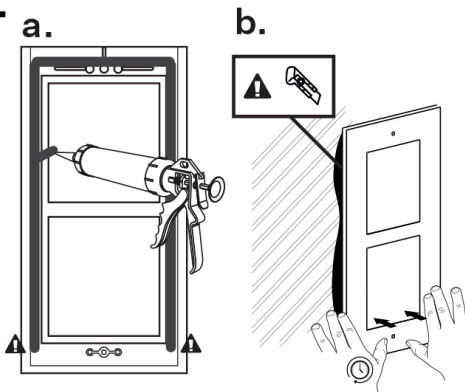
9.



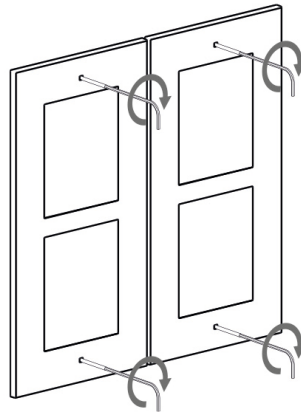
10.



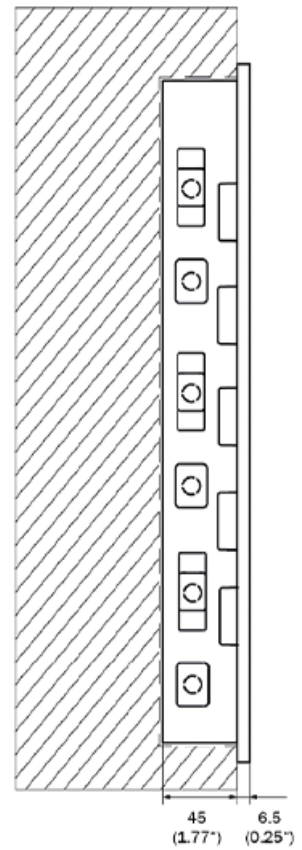
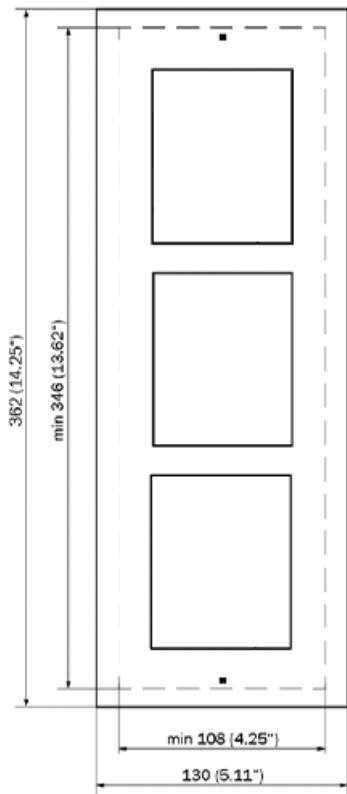
11.



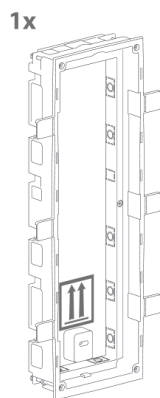
12.



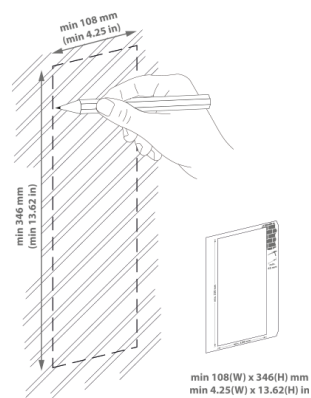
### 3-Module Installation



### Box Installation

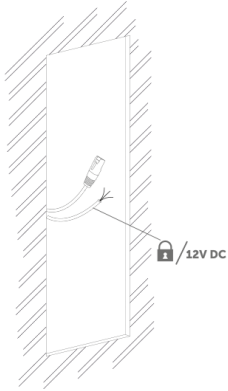


1.

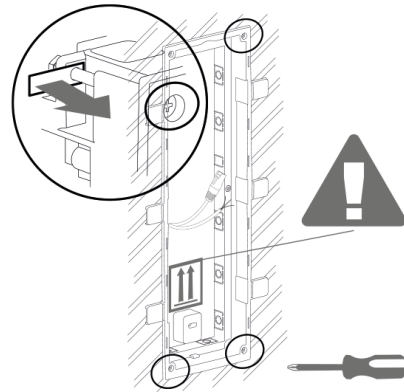


## Installation

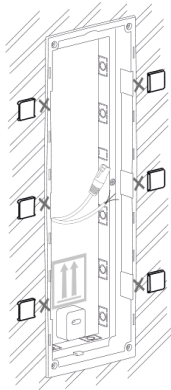
2.



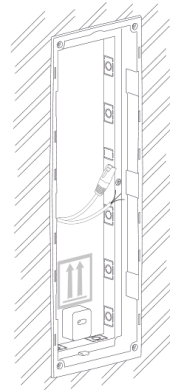
3.



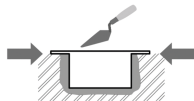
4.



5.



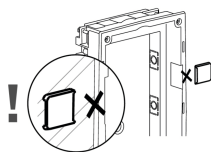
### WARNING



Make sure that the flush mounting box edges are not aligned with the wall but overlap the wall surface. When the proper box installation instructions are not met, water might get in and destroy the device installed. Side stops are used for a correct wall position.



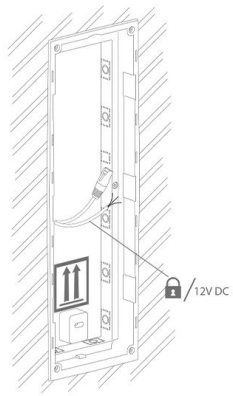
### CAUTION



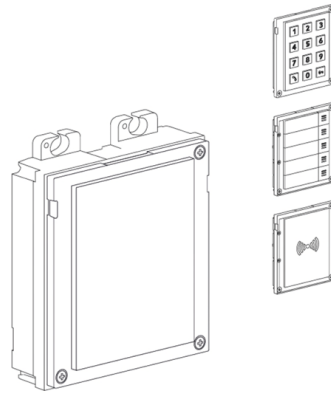
When the walling material has hardened, break off the side stops.

### 3-Module Installation into Box

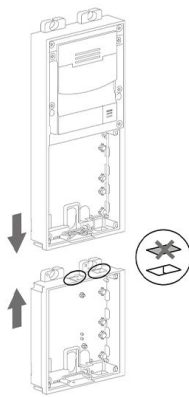
1.



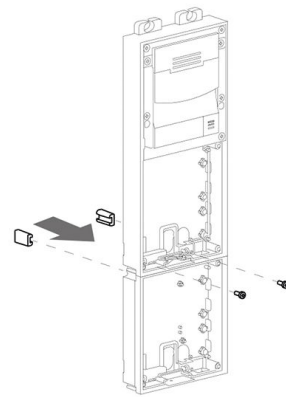
2.



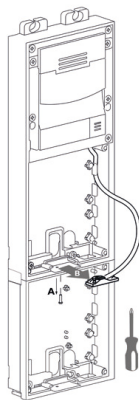
3.



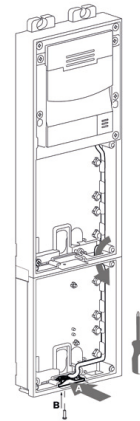
4.



5.

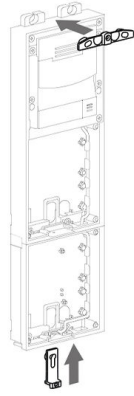


6.

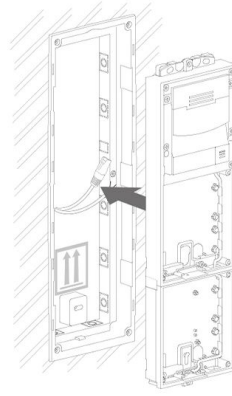


## Installation

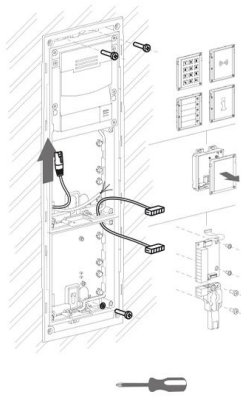
7.



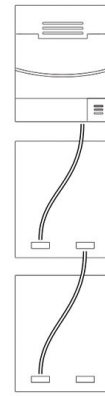
8.



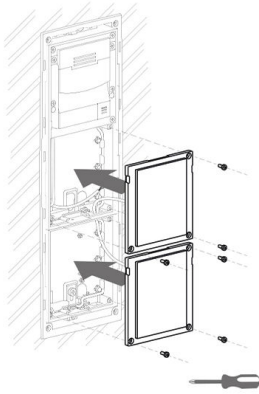
9.



10.



11.



12.



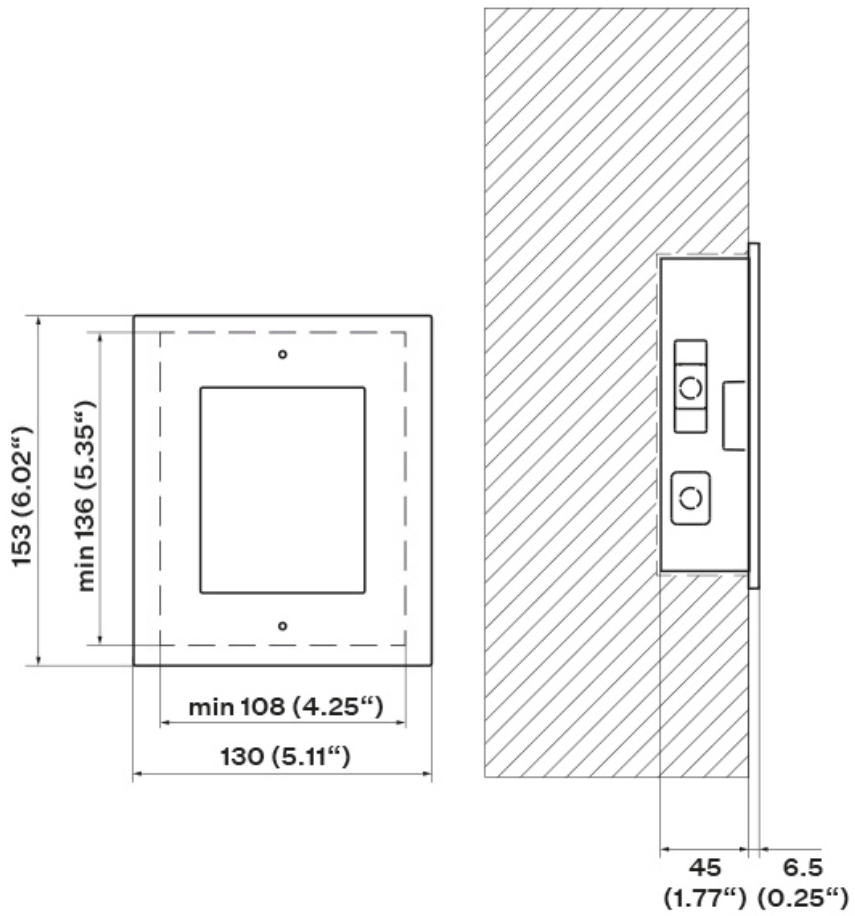
### Frame Attachment

Check the frame sealing before fitting the frame.

Screw the flush mounting frame in the upper and bottom parts.

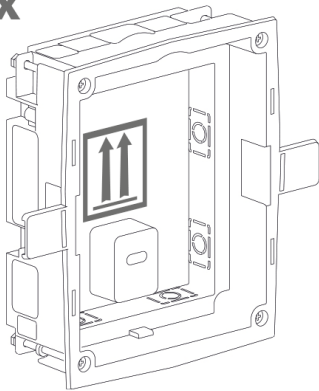
Hang the surface mounting frame on the hook in the upper part and then screw it tight in the bottom part.

**1-Module Installation**



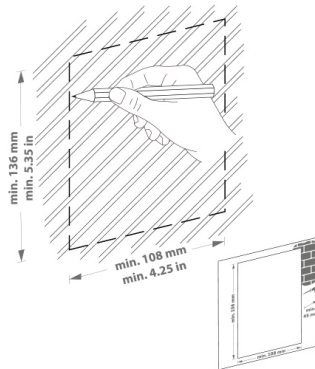
**Box Installation**

**1x**



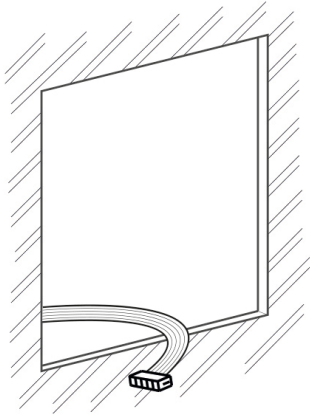
**1.**

min 108(W) x 136(H) x 45(D) mm  
min 4.25(W) x 5.35(H) x 1.77(D) in

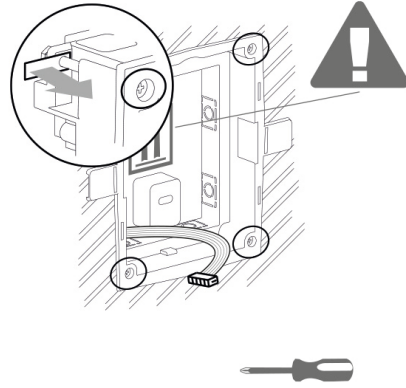


## Installation

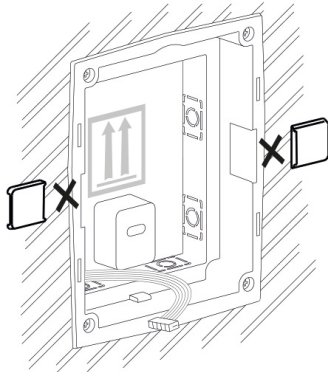
2.



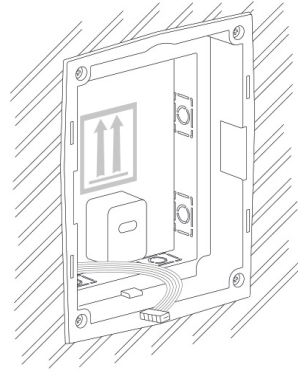
3.



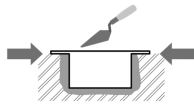
4.



5.



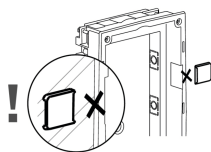
### WARNING



Make sure that the flush mounting box edges are not aligned with the wall but overlap the wall surface. When the proper box installation instructions are not met, water might get in and destroy the device installed. Side stops are used for a correct wall position.



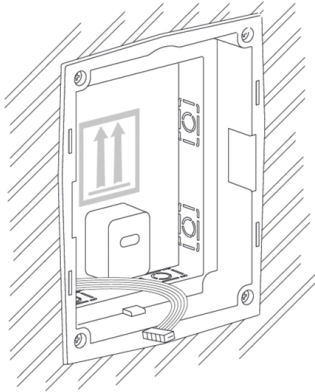
### CAUTION



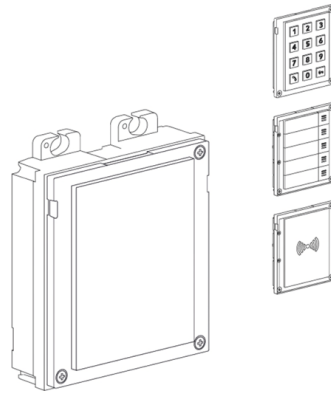
When the walling material has hardened, break off the side stops.

### 1-Module Installation into Box

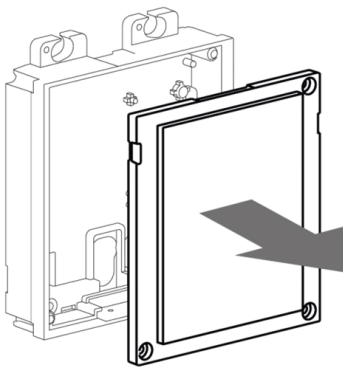
1.



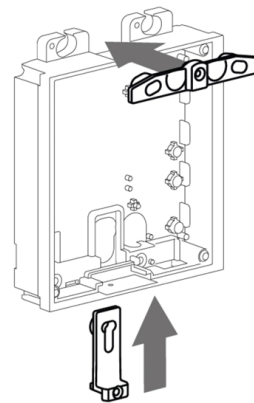
2.



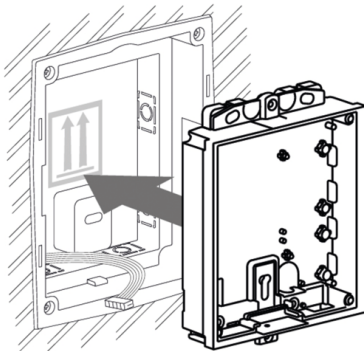
3.



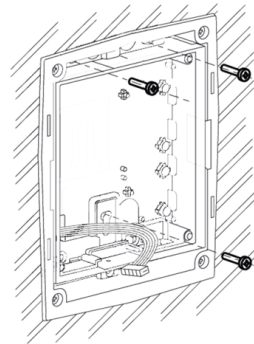
4.



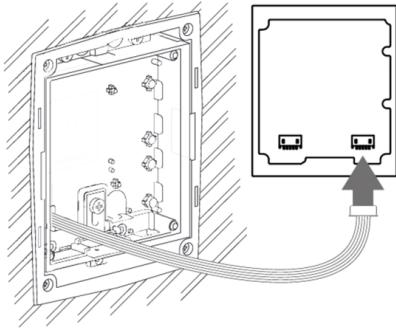
5.



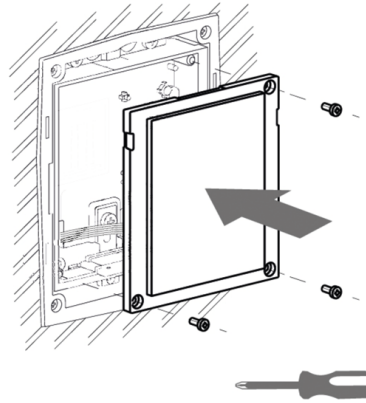
6.



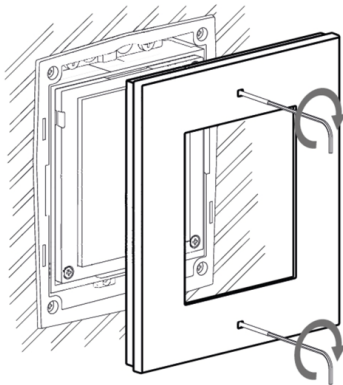
7.



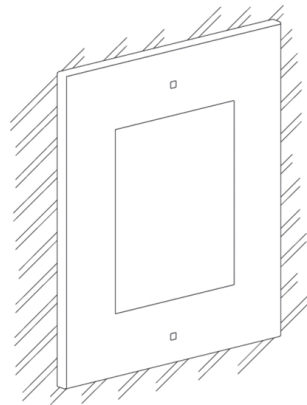
8.



9.



10.



### Frame Attachment

Check the frame sealing before fitting the frame.

Screw the flush mounting frame in the upper and bottom parts.

Hang the surface mounting frame on the hook in the upper part and then screw it tight in the bottom part.

### Surface Installation

What you need for mounting:

- **2N Access Unit QR**
- drilling template
- a proper frame
  - for 1-modules: frame (9155021/9155021B, 01287-001/01288-001)
  - for 2-modules: frame (9155022/9155022B, 01289-001/01290-001)
  - for 3-modules: frame (9155023/9155023B, 01291-001/01292-001)



#### NOTE

The one-module frame is designed for stand-alone installations of extending modules such as OUT readers, etc. A 2-module frame is required for the main unit installation.

For uneven surfaces, use a backplate for the required count of modules (9155061/9155062, 01293-001/01294-001).



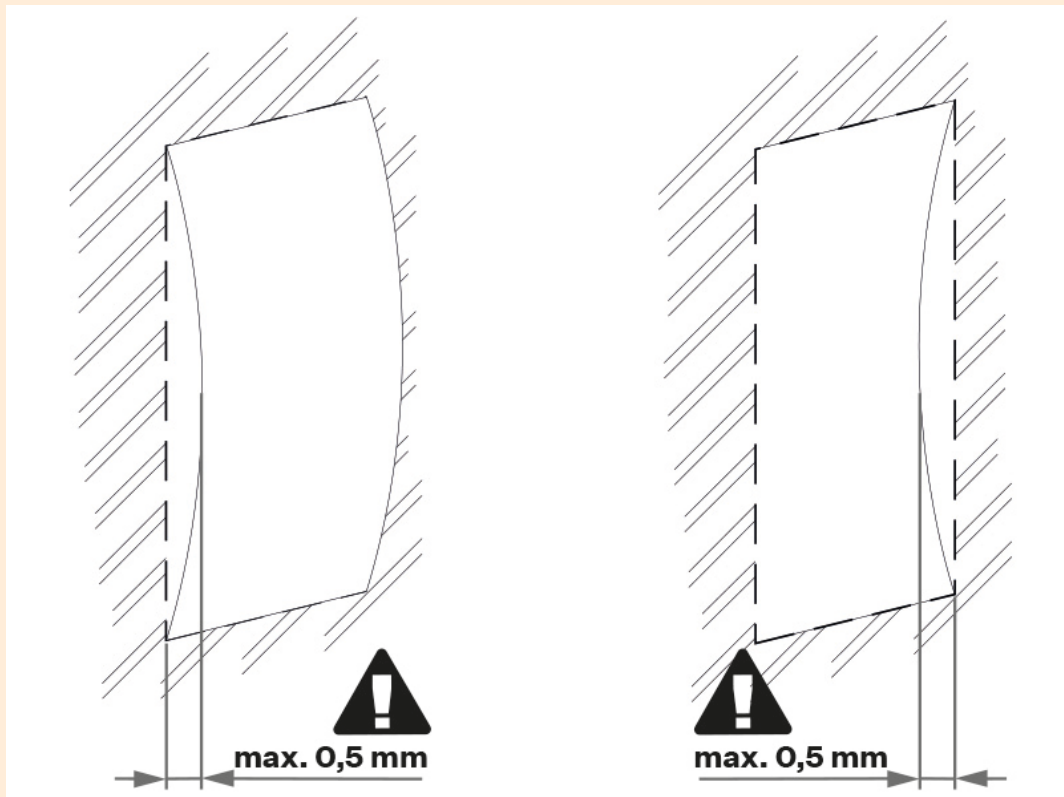
**DANGER**

Eliminate the risk of personal injury! Surface installation is not recommended for narrow passages or places where people's attention is distracted by something else. The manufacturer shall not be liable for injuries in such cases!



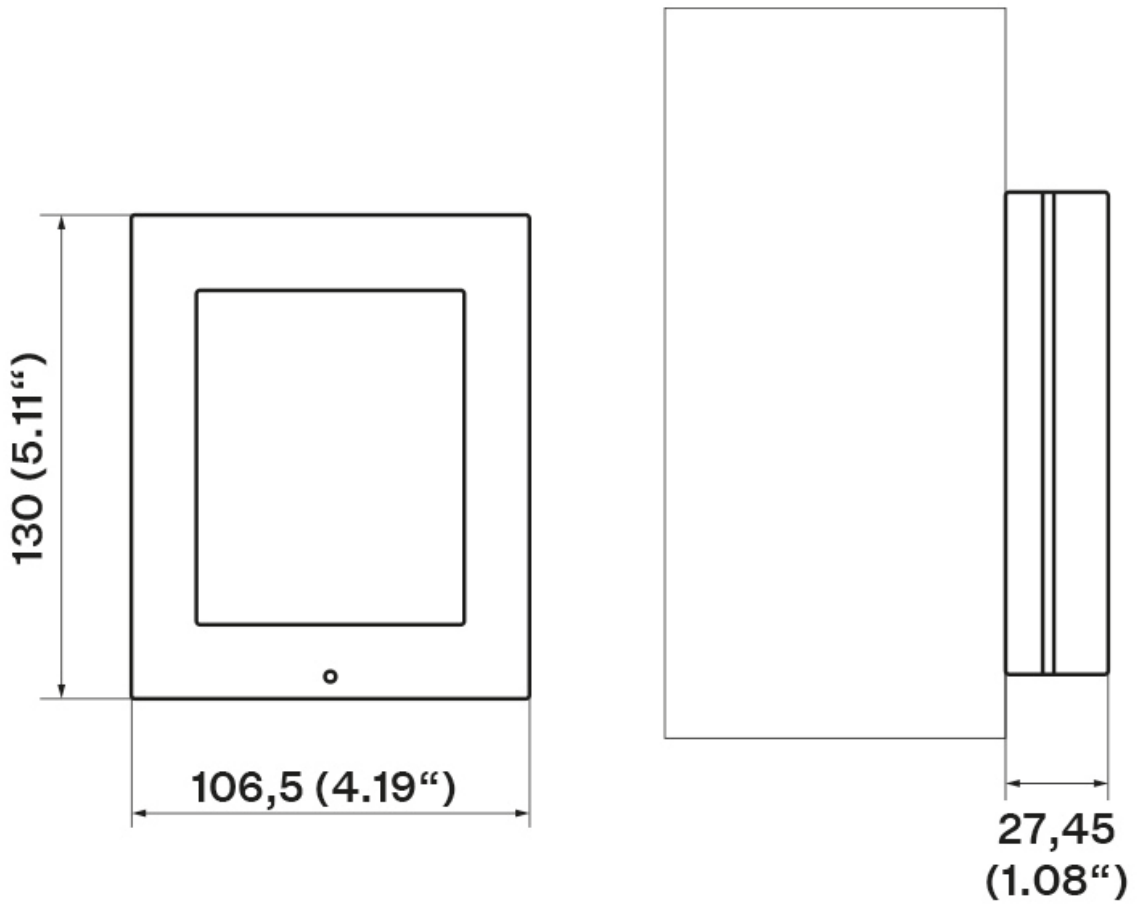
**WARNING**

- Make sure that the installation surface is flat with a maximum inequality of 0.5 mm. (e.g. prefabricated boards, glass, cut stone, etc.). If the installation surface is not even, use the flush mounting type or equalize the wall surface with a backplate (9155061/9155062/9155068, 01293-001/01294-001/01305-001) or make the wall surface perfectly flat.

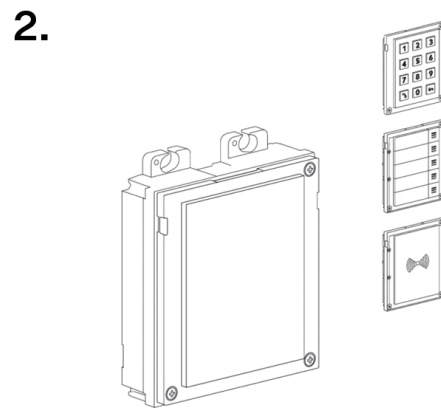
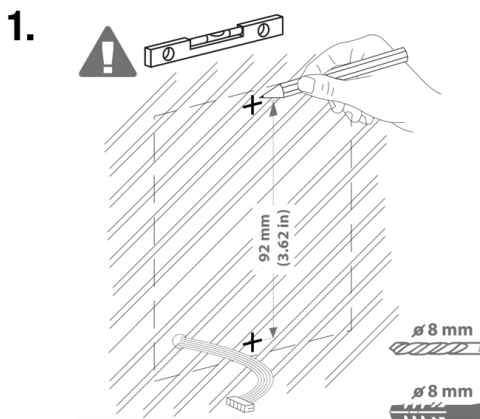


- Surface mounting always poses a problem where the installation is exposed to potential vandalism (such as public garages, etc.). In that case, use steel fixing elements instead of the dowels and screws included in the delivery.

### 1-Module Installation

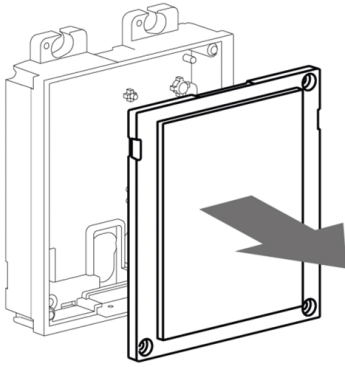


**TIP**  
Download the [drilling template](#) from 2N.com.

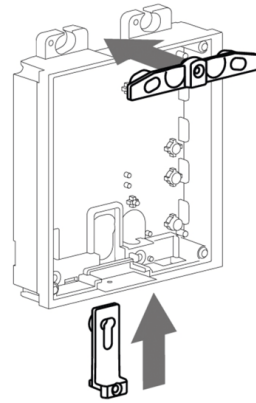


# Installation

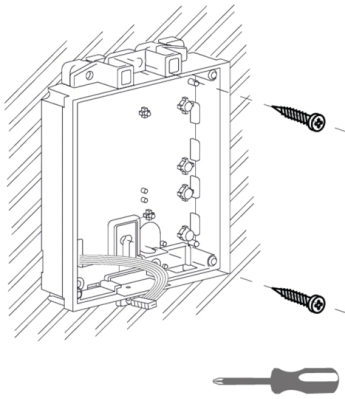
3.



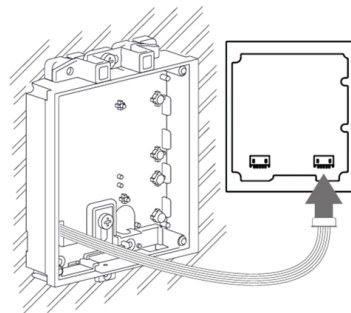
4.



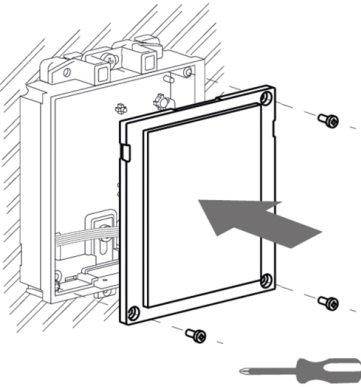
5.



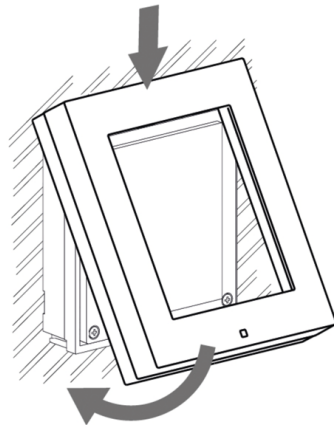
6.



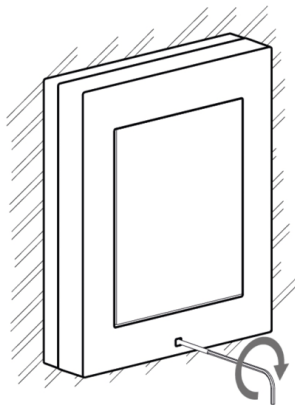
7.



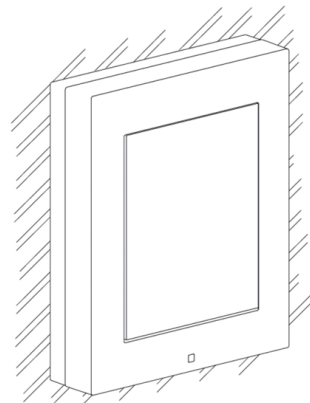
8.



9.



10.



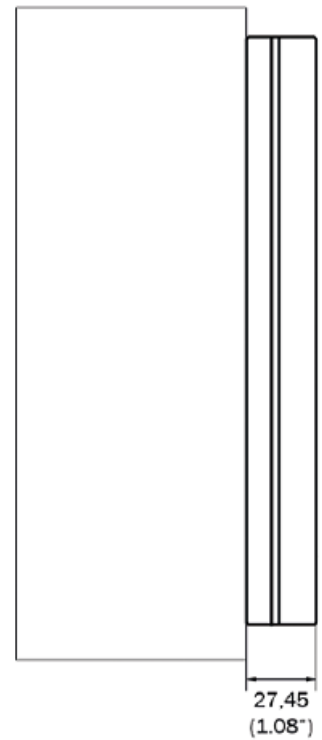
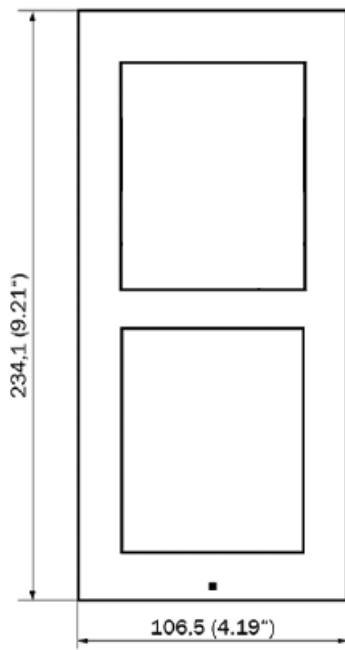
### Frame Attachment

Check the frame sealing before fitting the frame.

Screw the flush mounting frame in the upper and bottom parts.

Hang the surface mounting frame on the hook in the upper part and then screw it tight in the bottom part.

### 2-Module Installation

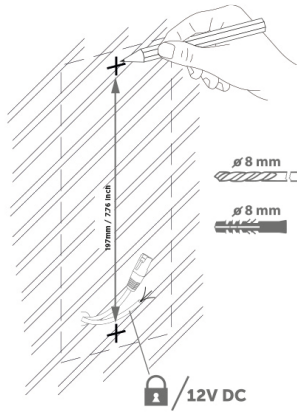


**TIP**

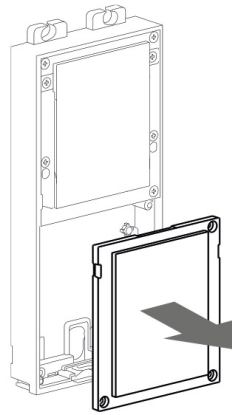
Download the [drilling template](#) from 2N.com.

# Installation

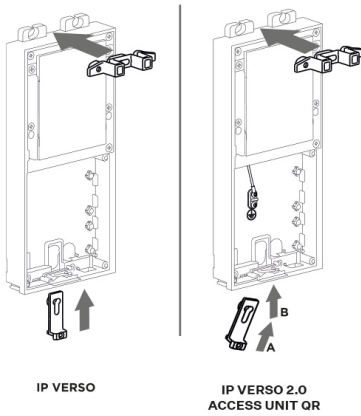
1.



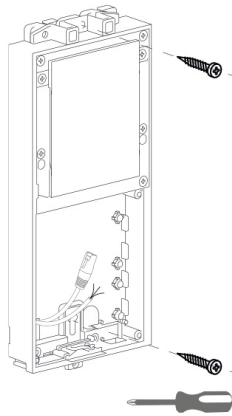
2.



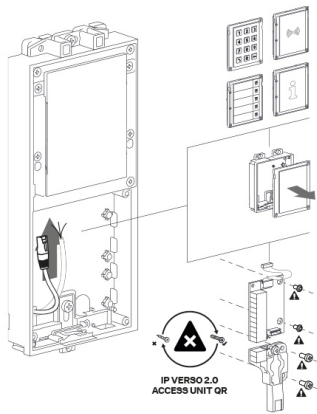
3.



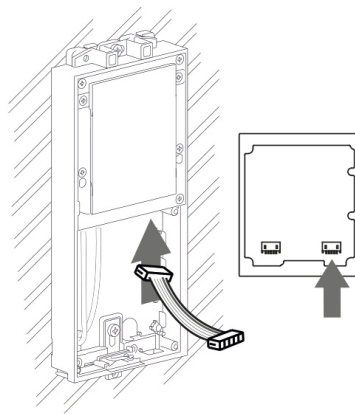
4.



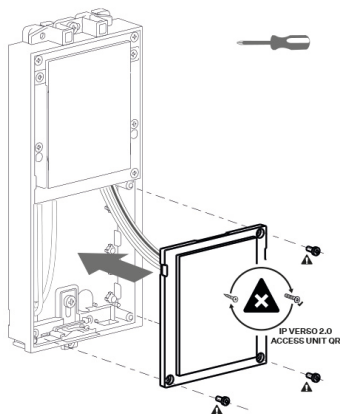
5.



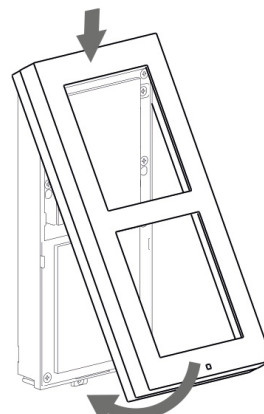
6.



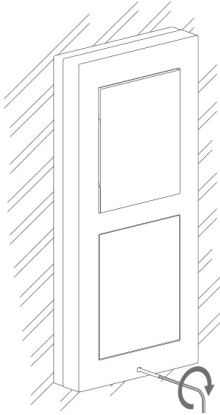
7.



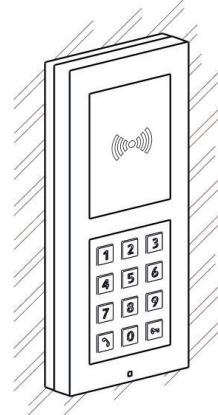
8.



9.



10.



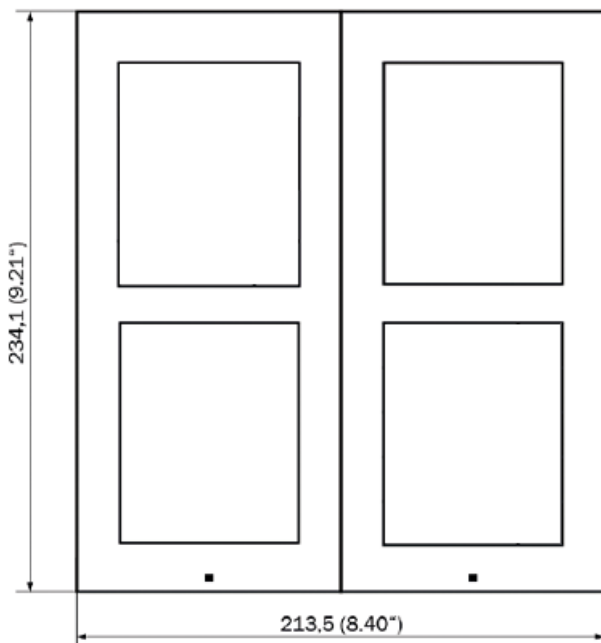
### Frame Attachment

Check the frame sealing before fitting the frame.

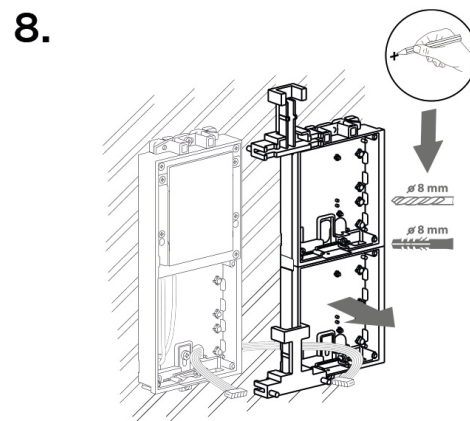
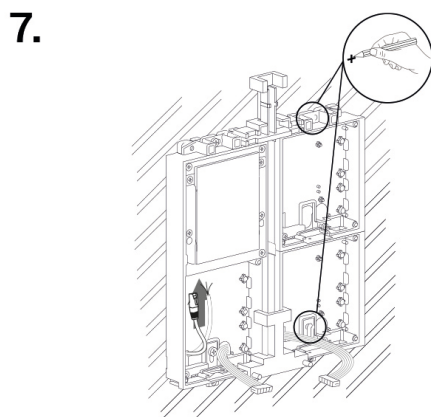
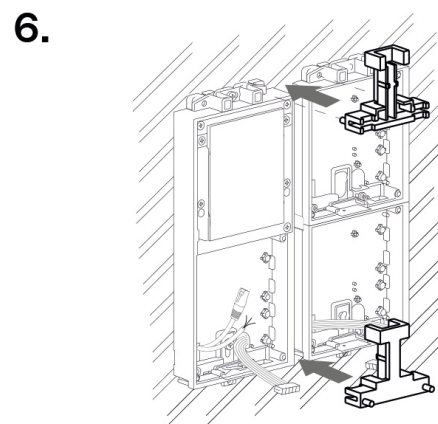
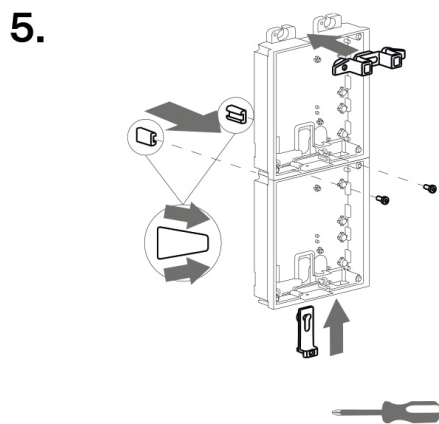
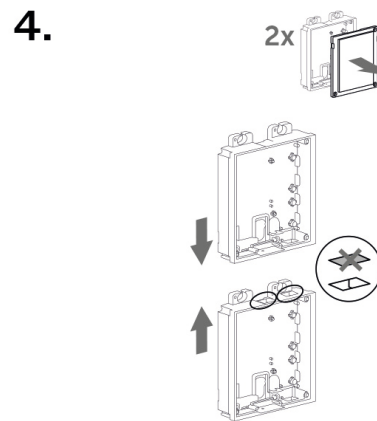
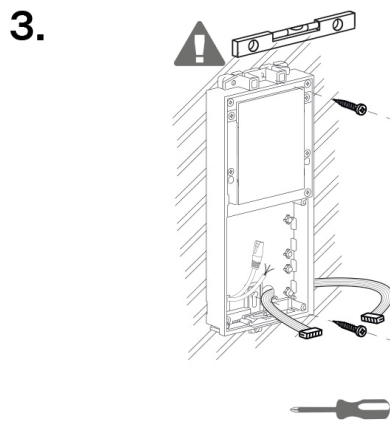
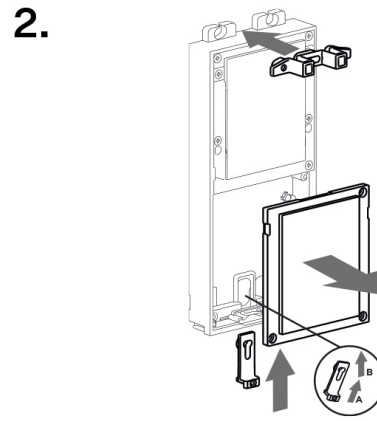
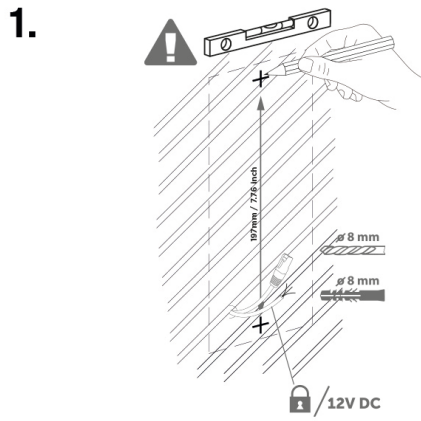
Screw the flush mounting frame in the upper and bottom parts.

Hang the surface mounting frame on the hook in the upper part and then screw it tight in the bottom part.

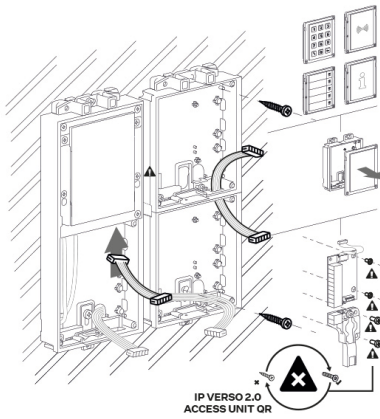
### Installation of Multiple 2-Modules Next to Each Other



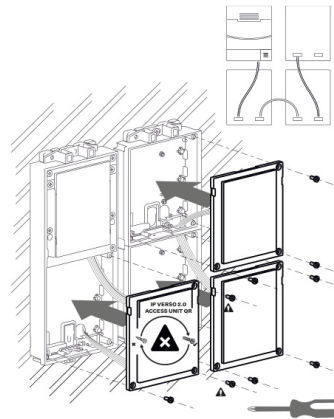
# Installation



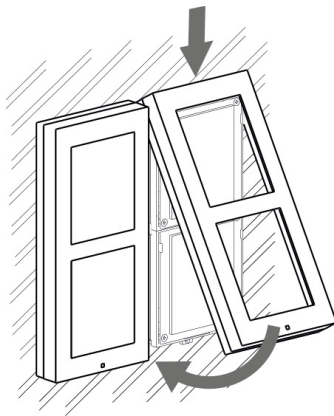
9.



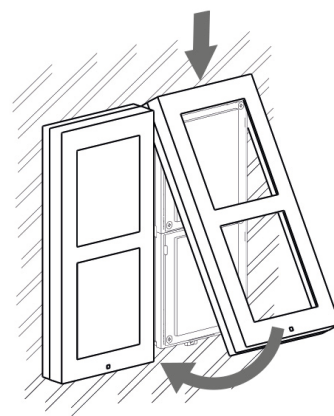
10.



11.



12.



### Frame Attachment

Check the frame sealing before fitting the frame.

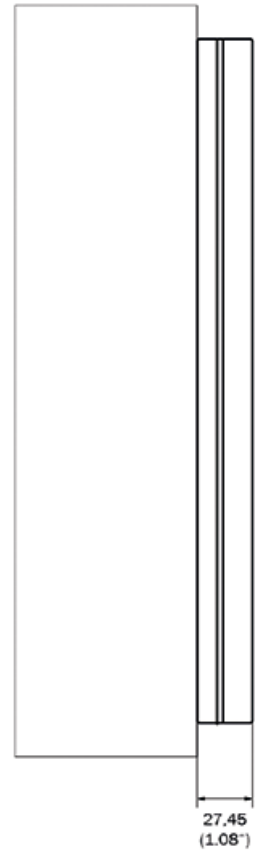
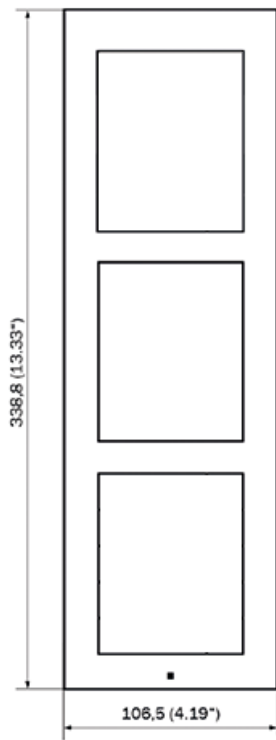
Screw the flush mounting frame in the upper and bottom parts.

Hang the surface mounting frame on the hook in the upper part and then screw it tight in the bottom part.

### 3-Module Installation

To install a 3-module, put a 2-module with a 1-module together.

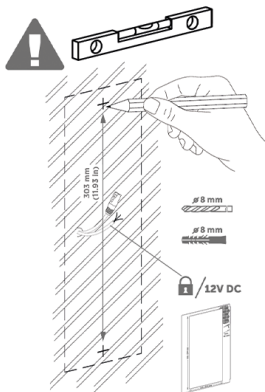
# Installation



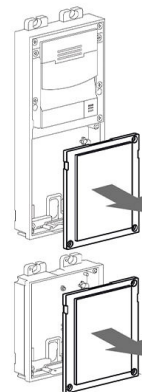
## TIP

Download the [drilling template](#) from 2N.com.

1.

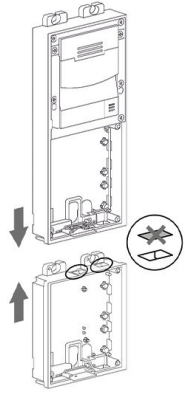


2.

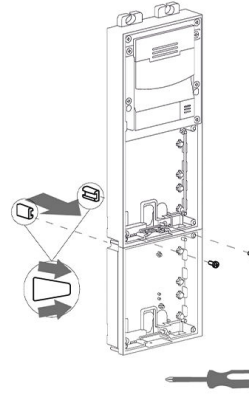


# Installation

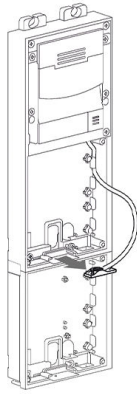
3.



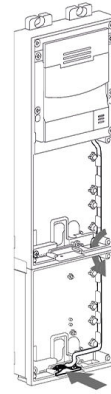
4.



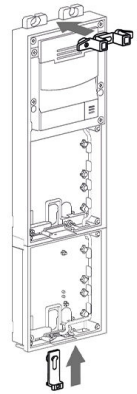
5.



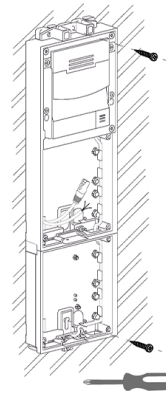
6.



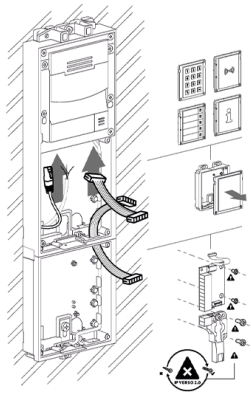
7.



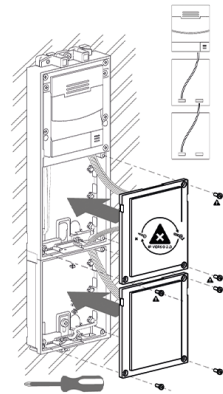
8.



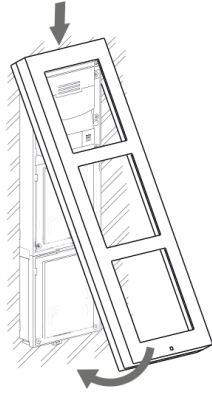
9.



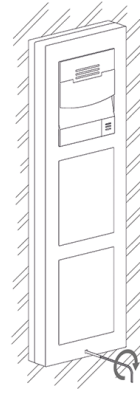
10.



11.



12.



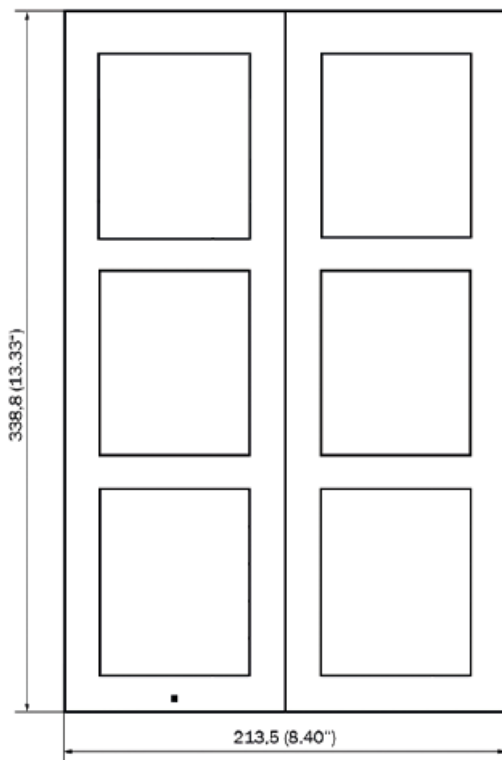
### Frame Attachment

Check the frame sealing before fitting the frame.

Screw the flush mounting frame in the upper and bottom parts.

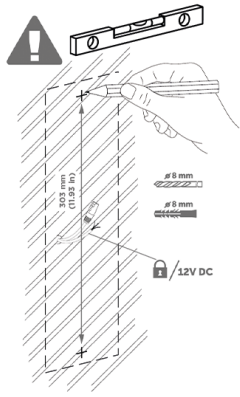
Hang the surface mounting frame on the hook in the upper part and then screw it tight in the bottom part.

### Installation of Multiple 3-Modules Next to Each Other

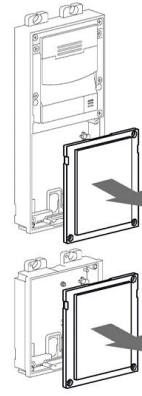


# Installation

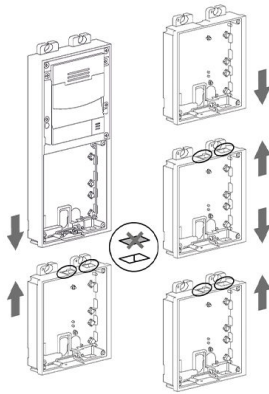
1.



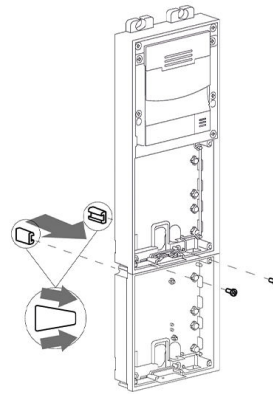
2.



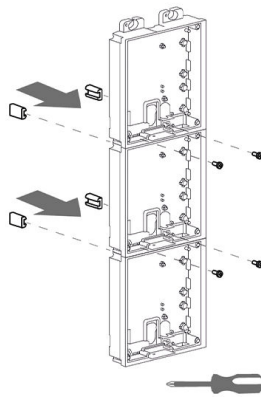
3.



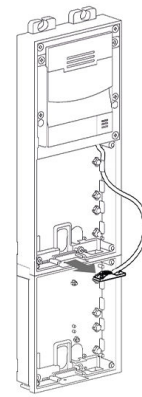
4.



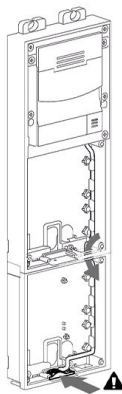
5.



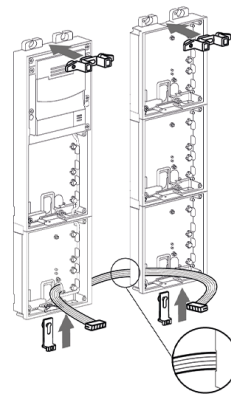
6.



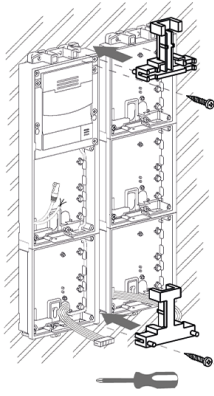
7.



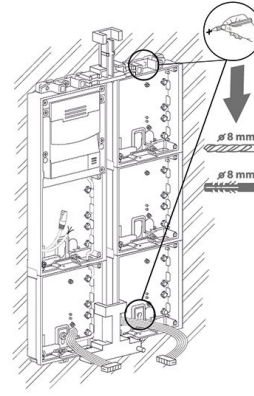
8.



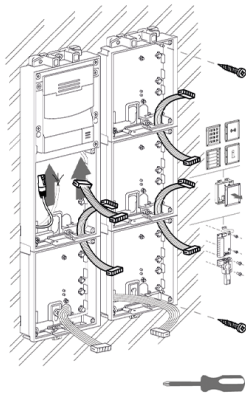
9.



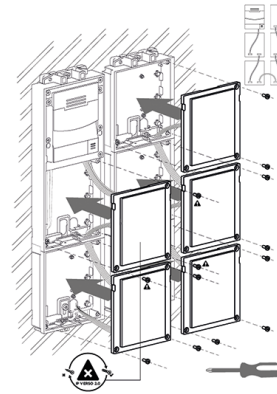
10.



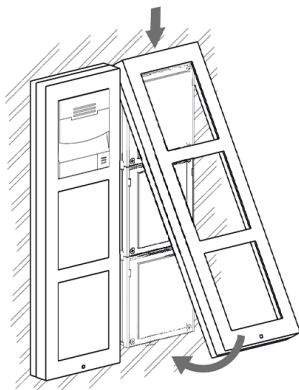
11.



12.



13.



14.



**Frame Attachment**

Check the frame sealing before fitting the frame.

Screw the flush mounting frame in the upper and bottom parts.

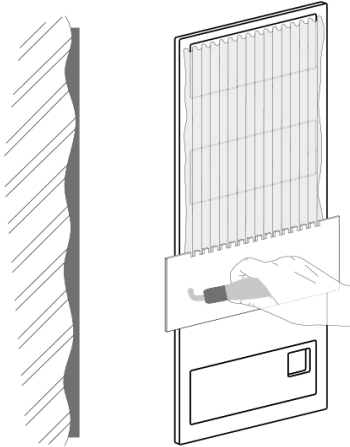
Hang the surface mounting frame on the hook in the upper part and then screw it tight in the bottom part.

**Backplate Use**

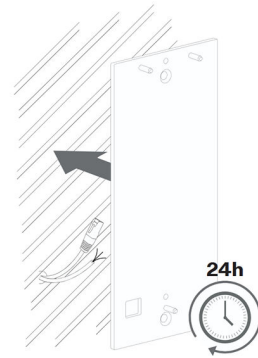
For uneven surfaces, use a backplate for the required count of modules (9155061/9155062, 01293-001/01294-001).

On uneven wall

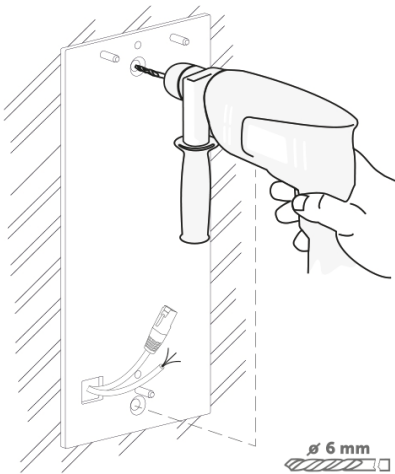
1.



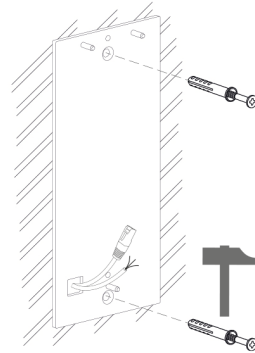
2.



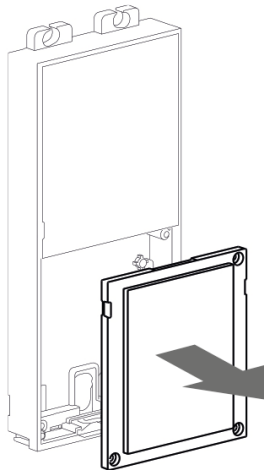
3.



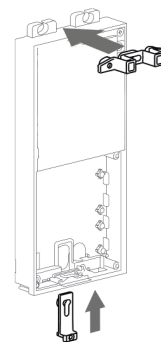
4.



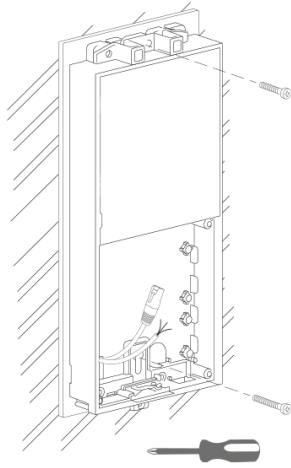
5.



6.



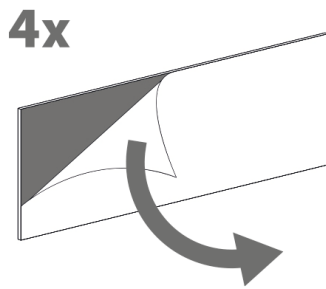
7.



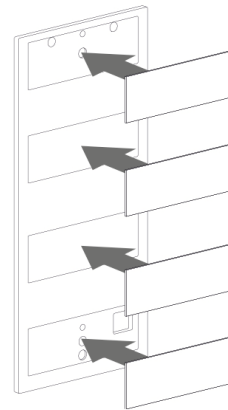
**On glass**

The backplate for uneven surfaces can also be used for installation on glass.

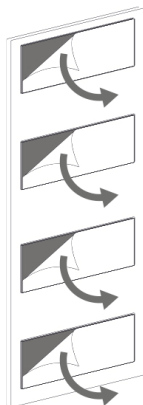
1.



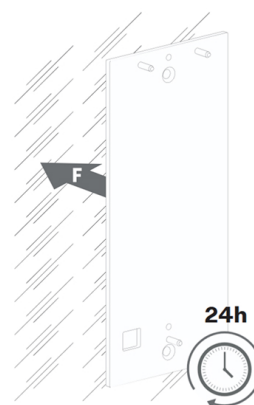
2.



3.

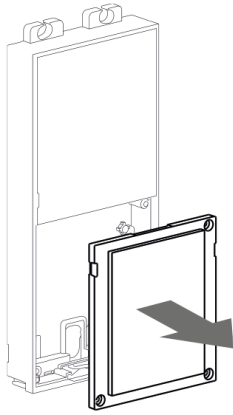


4.

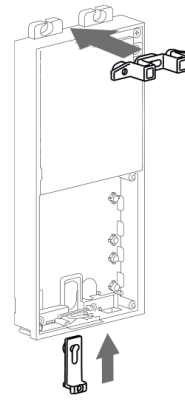


## Installation

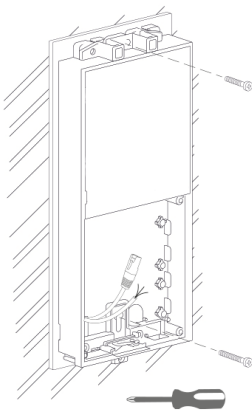
5.



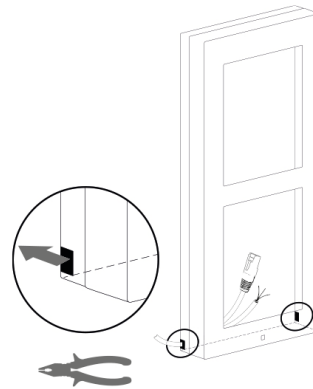
6.



7.



8.



### Surface installation on mounting backplate with tilt

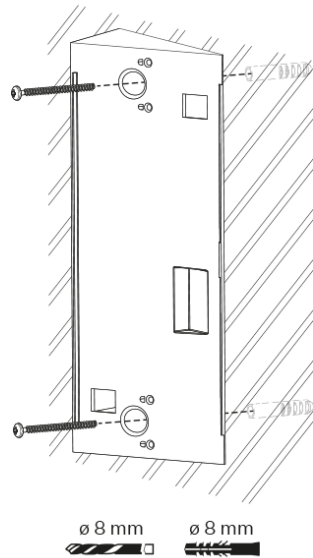
The 2-module slope board is used as a backplate for installations with a tilt of 25°.



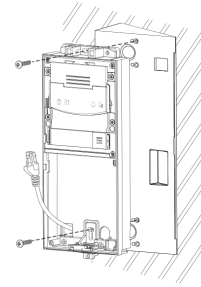
#### TIP

Download the [drilling template](#) from 2N.com

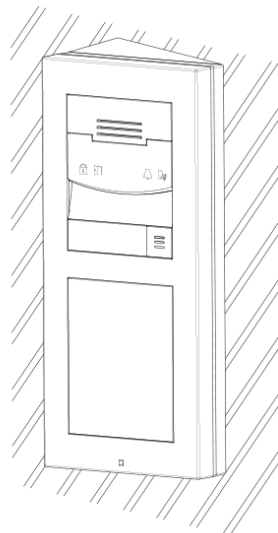
1.



2.



3.



## Electric Installation

### Power Supply

**2N Access Unit QR** can be fed either directly from the LAN if equipped with PoE 802.3af (Class 0, max. 12,95 W) supporting network elements or from an external 12 V  $\pm 15\%$  / 3 A DC power supply.



#### CAUTION

- The device must be part of the electrical system of the building.
- The external power supply should comply with PS2/LPS.

### PoE Supply

**2N Access Unit QR** is compatible with the PoE 802.3af (Class 0, max. 12,95 W) technology (Class 0, max. 12,95 W) and can be supplied directly from the LAN via compatible network elements. If your LAN does

not support this technology, insert a PoE injector, between **2N Access Unit QR** and the nearest network element. This power supply provides **2N Access Unit QR** with 12 W for its own feeding and for connected modules.

## External Power Supply

Use a SELV supply 12 V  $\pm 15\%$  dimensioned to the current consumption according to the required power output for the to make your device work reliably.



### CAUTION

Make sure that the wires are firmly attached to the terminal to avoid any free contact.

## Adapter Connection (1341481, 02520-001)

The white wire at the end of the adapter carries the positive charge (+), the black wire carries the negative charge (-).

## Combined Power Supply

**2N Access Unit QR** can be fed from an external power supply and PoE at the same time. In this configuration, the maximum power for the connected modules is available.

## Combined Power Supply

## Power Supply Installation

## Electric Installation Preparation

1. Unscrew the second module blind on the device base.
2. Use a flat screwdriver to take out the second module blind.

## 2-Module Electric Installation

1. Place the 2-module base on the flush mounting box / predrilled holes with dowels and pull the power cables through the bottom holes.
2. Insert the metal fitting elements up and down and screw the base plate tight. You can level the base slightly if you are mounting just one base.

## 3-Module Electric Installation

1. Unscrew the blind on the extending 1-module.
2. Use a flat screwdriver to take out the blind.
3. Slide the 1-module to the 2-module base and secure its position with small side wedges and screws.
4. Remove the microphone from the 2-module and loosen its cable.
5. Lead the microphone (as shown in the [mechanical installation \(p. 28\)](#) figures) into the 1-module base.
6. Place the joined bases on the flush mounting box / predrilled holes with dowels and pull the cables through the bottom holes.  
Feed the Ethernet cable without the connector from the extending base to the 2-module base if necessary.

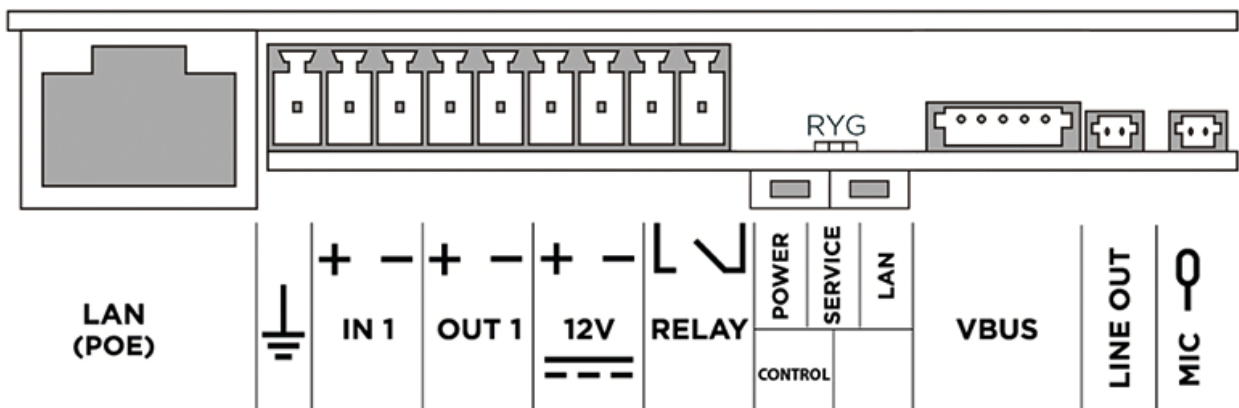
## Electric Installation of Multiple Modules Next to Each Other

1. Unscrew the blinds of the extending bases and take them out using a flat screwdriver.
2. Slide the bases into each other as projected and secure their positions with small side wedges and screws.

3. Place the cover on the flush mounting box / predrilled holes with dowels and pull the cables if any through the bottom holes.
4. Pull the bus using the cable bushing available in the flush mounting box.

## Device Connectors

### Main unit connector wiring



GROUND  
symbol

Grounding terminal



#### CAUTION

We recommend that a grounding cable of the cross-section of 1.5 mm<sup>2</sup> is used.

IN1

IN1 terminals for input in passive/ active mode (-30 V to +30 V DC)

- OFF = open contact or  $U_{IN} > 1.5 \text{ V}$
- ON = closed contact or  $U_{IN} < 1.5 \text{ V}$

OUT1            OUT1 terminals of active input for [Security Relay \(p. 108\)](#) or electric lock connection: 8 up to 12 V DC depending on power supply (PoE: 10 V; adapter: source voltage minus 2 V), up to 600 mA

12 V            External power supply terminals 12 V ±15 % / 3 A DC

RELAY           RELAY1 terminals with accessible 30 V / 1 A AC/DC NO contact.

POWER/  
SERVICE/LA  
N            LED indicators (red/green/yellow).

CONTROL        Hardware Configuration Button

BOOT            The buttons is used for advanced diagnostic operations but is irresponsive to common users.

LINE OUT        External induction loop output. LINE OUT (1 V<sub>RMS</sub>) connector, type JST SHR-02V-S



**CAUTION**

2N Access Unit QR is **not** compatible with the 2N induction loop extending module, but an external induction loop can be connected to it.

MIC            Microphone (MIC) connector

**Available switches**

Location	Name	Description
Main unit	RELAY	<p><b>Passive switch:</b></p> <ul style="list-style-type: none"> <li>• switching contact</li> <li>• max. 30 V / 1 A AC/DC</li> </ul>
	OUT	<p><b>Active switch output:</b></p> <ul style="list-style-type: none"> <li>• 10 to 12 V DC, max. 600 mA</li> </ul>

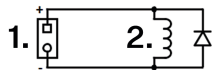
Location	Name	Description
I/O module* (9155034, 01257-001)	Extension relay1	<p><b>Passive switch:</b></p> <ul style="list-style-type: none"> <li>• make and break contact</li> <li>• max. 30 V / 1 A AC/DC</li> <li>• only used to connect non-critical devices (e.g. lights)</li> </ul>
	Extension relay2	<p><b>Passive switch:</b></p> <ul style="list-style-type: none"> <li>• make and break contact</li> <li>• max. 30 V / 1 A AC/DC</li> <li>• only used to connect non-critical devices (e.g. lights)</li> </ul>

Multiple modules marked with an asterisk (\*) can be used.



**DANGER**

If a coil containing device is connected, e.g. relays/electromagnetic locks, it is necessary to protect the device output against voltage peak while switching off the induction load. For this way of protection we recommend a 1 A / 1000 V diode (e.g., 1N4007, 1N5407, 1N5408) connected antiparallel to the device.



1. Terminals
2. Coil. e.g. relay or electromagnetic lock



**WARNING**

The 12V output is used for lock connection. If the device is installed in a location where there is a danger of unauthorized access (building front, e.g.), we strongly recommend the use of the 2N Security Relay (9159010, 01386-001) to ensure the maximum installation security.

**Relay Terminal Wiring Diagrams**

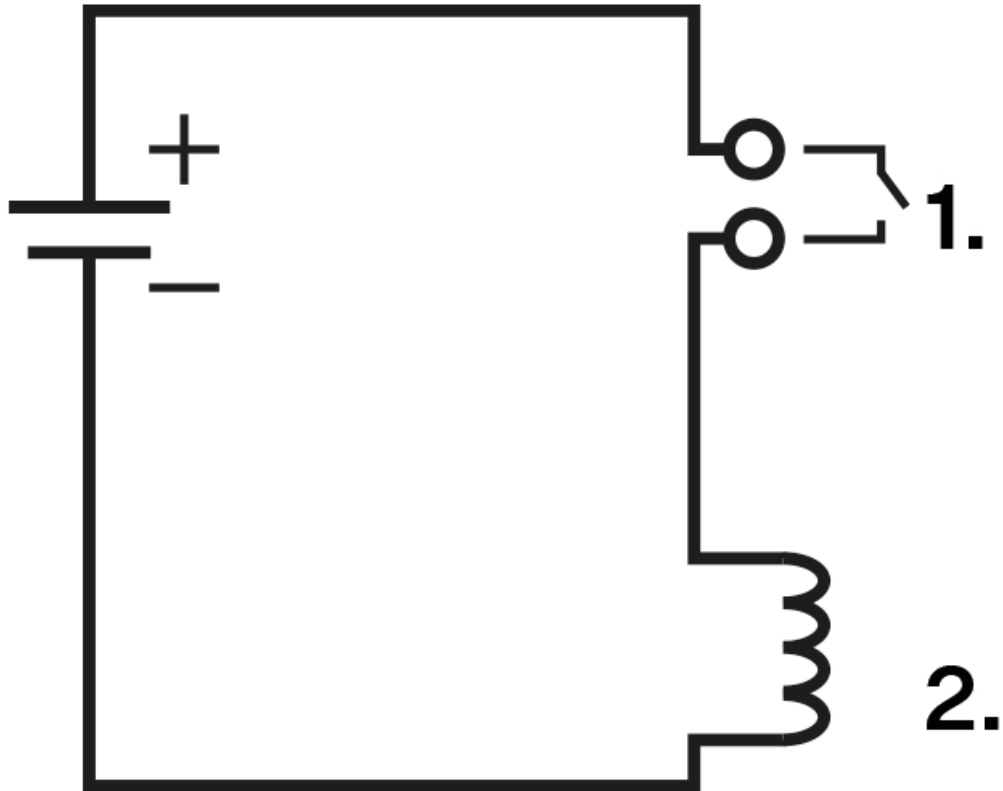
It is possible to connect a device to the **2N Access Unit QR** relay terminals to be controlled by this relay, e.g. an electric/electromechanical door lock.

The elements are designated as follows in the diagrams below:

1. Device relay

2. Controlled device

**Wiring diagram for the relay terminal output for switching the electric circuit of the controlled device**

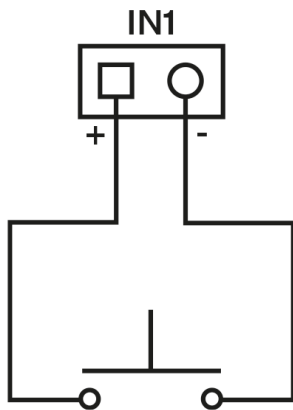


**Connection of IN1 inputs (or IN2)**

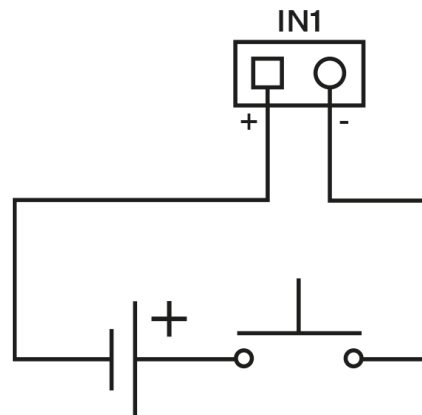
It is possible to connect an external button, e.g. a departure button or door open sensor, to the IN1 or IN2 terminals of device **2N Access Unit QR**.

The following wiring diagrams apply both to IN1 and IN2.

### Wiring diagram of IN1 terminals in active mode



### Wiring diagram of IN1 terminals in passive mode



## LAN Connection

**2N Access Unit QR** is connected to the LAN by inserting a SSTP cable (Cat-5e or higher) terminated with an RJ-45 plug into the marked LAN connector on the device. As the device is equipped with the Auto-MDIX function, you can use either the straight or crossed cable version.

This device must be deployed within a network infrastructure that provides adequate protection against Denial-of-Service (DoS) attacks and similar network-based threats. The device does not include built-in protection against high-volume or malicious traffic and relies on the surrounding network environment—such as firewalls, intrusion prevention systems, or rate limiting—for defense. Failure to implement appropriate network security measures may lead to service degradation or unavailability. The equipment's user documentation shall contain a [description of all exposed network interfaces and all services exposed via network interfaces](#), which are delivered as part of the factory default state.



### CAUTION

- We recommend the use of a LAN [surge protection](#) (p. 85).
- We recommend the use of a shielded SSTP Ethernet cable.

## Overvoltage Protection

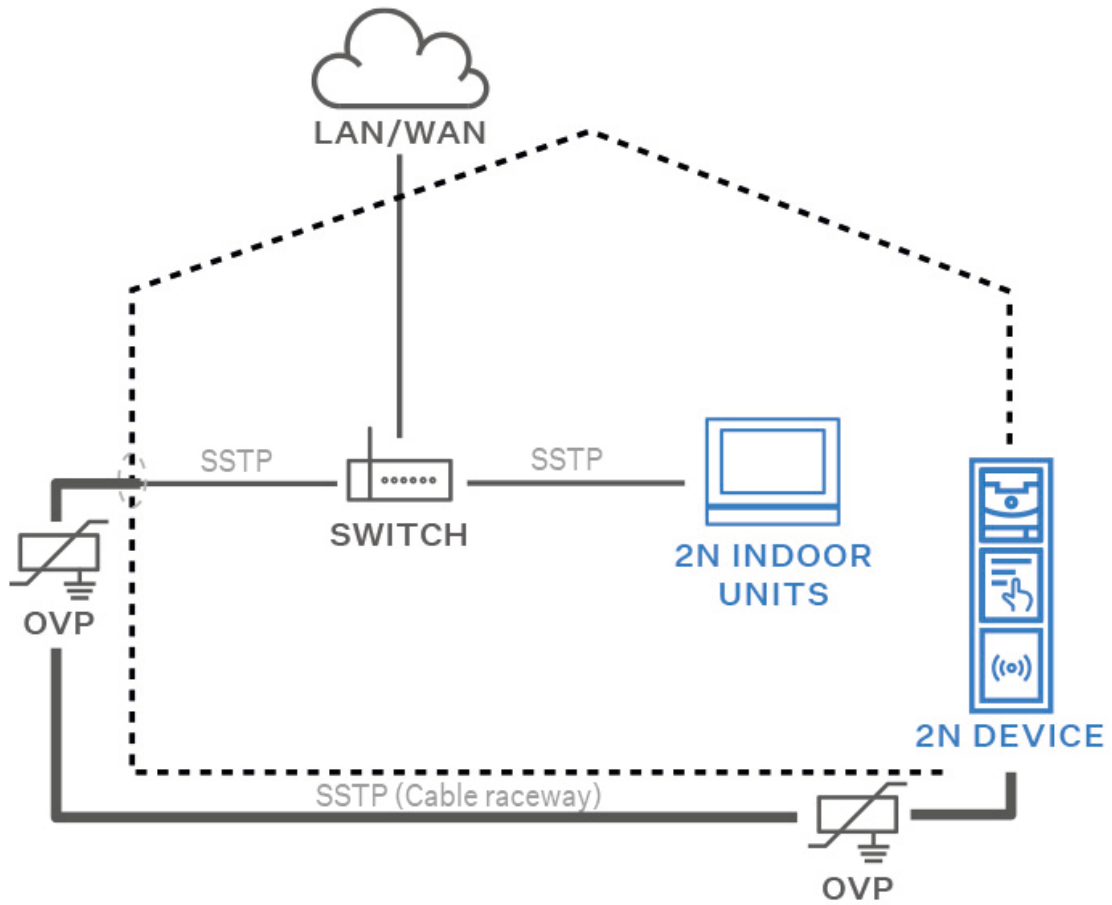
The 2N device cables have to be protected against atmospheric overvoltage caused by external causes (lightning, e.g.). A surge can damage a device installed outside/inside the building if the wires are unprotected.

Therefore, we recommend that additional overvoltage protectors (OVP) be installed on the outer walls or roof for all the wires leading outside the building. Keep the following instructions while installing overvoltage protectors:

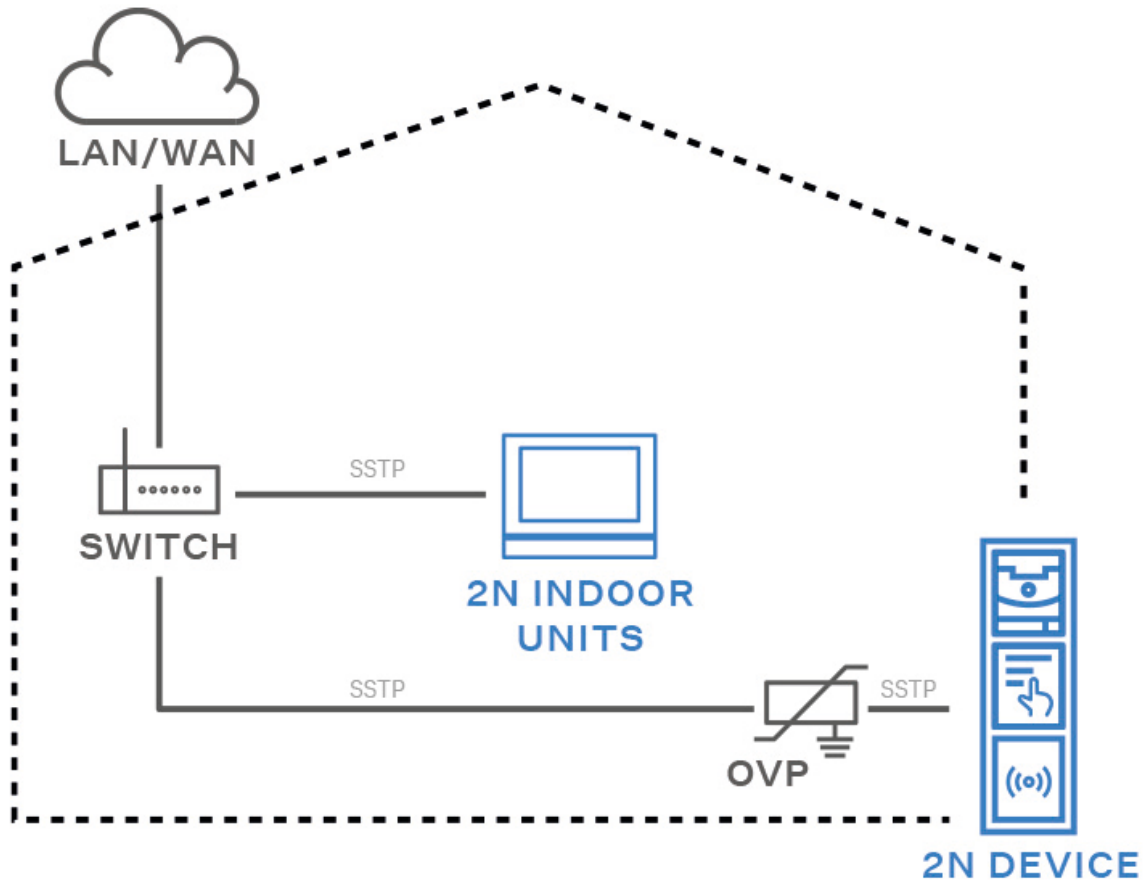
- Make sure that the overvoltage protector is installed as close as possible to the device installed outside the building.
- Make sure that the overvoltage protector is installed as close as possible to the device installed on an external part of the building.
- Make sure that the overvoltage protector is installed as close as possible to the point where the cabling leaves the building.

### Examples of Overvoltage Protection Installation

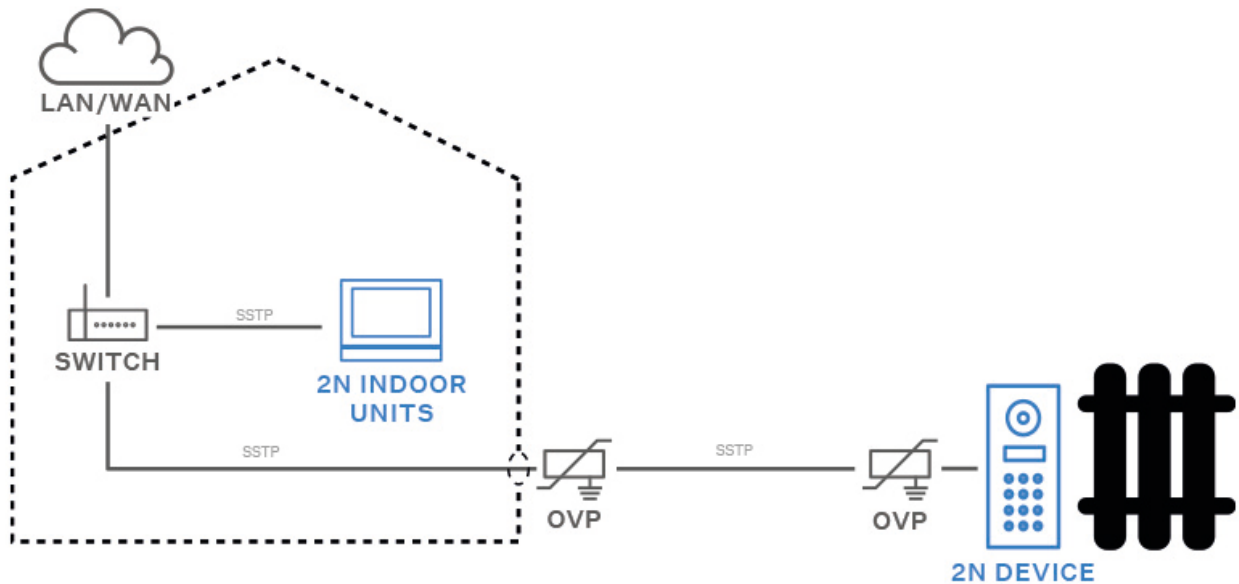
Overvoltage protection installation diagram for a device installed on the building facade and cables outside the building



**Overvoltage protection installation diagram for a device installed on the building facade and cables inside the building**



## Overvoltage protection installation diagram for a device and cables installed outside the building



## Installation Completion

Check the connection of all the wires and the RJ-45 plug insertion in the board connector.



### WARNING

- Make sure that all the terminals of the unused connectors are properly tightened to avoid vibrations caused by sound.
- An incorrectly made installation may compromise the device waterproofness. Water infiltration may damage the electronic part.
- Use silicone or some other sealant to seal the box against an uneven wall. Thus, you prevent water leakage and wall damping.



Make sure before mounting that the black sealing ring is placed properly. We recommend that the microphone is fitted with the screw included in the delivery.

## Frame Attachment

Check the frame sealing before fitting the frame.

Screw the flush mounting frame in the upper and bottom parts.

Hang the surface mounting frame on the hook in the upper part and then screw it tight in the bottom part.

## Most Frequent Installation Errors

Always mount the metal bolts and level the bases on an even surface **before** tightening the screws.



### WARNING

Make sure that the bases are levelled properly to avoid water leakage and electronic damage.



See the side view in the drawing above for the right/wrong connection of the bases. Pay particular attention to the base connection detail. You may have a situation especially when the instructions are neglected and the screws are tightened first.

# Main and Extending Modules



## CAUTION

In case the firmware versions of the module to be connected and the main unit are incompatible, the module will not be detected. Therefore, update the device firmware after connecting the modules. Update firmware via the web configuration interface in System > Maintenance.



## TIP

To accelerate access card reading, we recommend that the used card types are only selected in the module settings.



## NOTE

**2N Access Unit QR** also supports the **2N IP Verso** extending modules.

**2N Access Unit QR** can be interconnected with the following modules:

- [\[cs\] Čtečka RFID karet 125 kHz \(p. 95\)](#)
- [13.56 MHz NFC RFID card reader \(p. 96\)](#)
- [Secured 13.56 MHz, NFC RFID card reader \(p. 96\)](#)
- [125 kHz, 13.56 MHz, NFC Bluetooth & RFID card reader \(p. 97\)](#)
- [125 kHz, secured 13.56 MHz, NFC Bluetooth & RFID card reader \(p. 98\)](#)
- [125kHz, 13.56MHz, NFC touch keypad & RFID card reader \(p. 98\)](#)
- [125kHz, secured 13.56MHz, NFC touch keypad & RFID card reader \(p. 99\)](#)
- [125 kHz, 13.56 MHz, NFC touch keypad & Bluetooth & RFID card reader \(p. 99\)](#)
- [125 kHz, secured 13.56 MHz, NFC touch keypad & Bluetooth & RFID card reader \(p. 100\)](#)
- [Touch keypad \(p. 101\)](#)
- [Biometric fingerprint reader \(p. 101\)](#)
- [Touch display \(p. 102\)](#)
- [Keypad \(p. 102\)](#)
- [I/O module \(p. 103\)](#)
- [Wiegand module \(p. 104\)](#)
- [Security Relay \(p. 108\)](#)
- [Tamper Switch module \(p. 110\)](#)
- [Infopanel \(p. 112\)](#)
- [Blind panel module](#)

## Module Interconnection

All the modules that can be connected to the device are interconnected via a bus. The bus starts on the main unit and goes over all the modules. The order of the modules on the bus is irrelevant. And it is also irrelevant which bus connector is used as the input and which is used as the output on the module.

## Main and Extending Modules

The modules include a 220 mm long bus interconnecting cable.

The Wiegand, OSDP and I/O modules include an 80 mm long bus cable. These modules can be hidden inside one of the modules described below (Infopanel, Keypad, RFID card reader, Bluetooth) or can be freely placed behind the device (in a mounting box, e.g.). The Tamper Switch, which is not on the bus, is interconnected with one of these modules.

It is possible to order separate bus cables of the length of 1 m, 3 m or 5 m (9155050/9155054/9155055, 01267-001/01268-001/01269-001 respectively), which are intended for remote module installations. Typically, they help install an RFID card reader on the opposite side of the wall on which the device communicator is installed. This cable may only be used once on the bus. The total length of all the bus cables used in these extended installations may not exceed 7 m.

The modules can be combined in each base as follows:

Module	External mounting into the device base (the module is visible):	Internal mounting into the device base (the module is not visible):	Internal mounting on the base bottom edge
Infopanel	✓	✗	✗
Keypad	✓	✗	✗
Touch keypad	✓	✗	✗
125 kHz RFID card reader	✓	✗	✗
13.56 MHz RFID card reader	✓	✗	✗
13.56 MHz, NFC RFID card reader	✓	✗	✗
Secured 13.56 MHz, NFC RFID card reader	✓	✗	✗
125 kHz, 13.56 MHz, NFC Bluetooth & RFID card reader	✓	✗	✗
125kHz, secured 13.56MHz, NFC Bluetooth & RFID card reader	✓	✗	✗

Module	External mounting into the device base (the module is visible):	Internal mounting into the device base (the module is not visible):	Internal mounting on the base bottom edge
125kHz, 13.56MHz, NFC touch keypad & RFID card reader	✓	✗	✗
125kHz, secured 13.56MHz, NFC touch keypad & RFID card reader	✓	✗	✗
Bluetooth reader	✓	✗	✗
Touch display	✓	✗	✗
Fingerprint reader	✓	✗	✗
I/O	✗	✓	✗
Wiegand	✗	✓	✗
Tamper Switch	✗	✗	✓
Blind panel	✓	✗	✗

## Module Power Supply

All the modules connected to the device, except for the Tamper Switch, are powered from the bus. The available bus power output depends on the power supply type.

The main unit with motherboard allows an external power supply to be used for increasing the available power output for the modules connected.

Power Supply	Specification	Available power output
External supply	12 V $\pm$ 15 % / 3 A DC	24 W (36 W)

Power Supply	Specification	Available power output
PoE	802.3af (Class 0 – 12.95 W)	12 W
Combined	External supply + PoE	30 W (42 W)

### Sample Calculations

The count of modules on the bus is limited by the available power supply output. The maximum count of the modules on the bus is 30.

Main unit with motherboard	Maximum consumption [W]
At relax	2.376
LED – lock	0.072
LED – secured	0.096
Unit backlight	0.072
Relay 1	0.132
OUT1	4.8
<b>Total</b>	<b>7,548</b>

Module	Maximum idle consumption [W]	Full load [W]
Main unit with camera	2.36	11.57
Infopanel	0.17	0.35

## Main and Extending Modules

Module	Maximum idle consumption [W]	Full load [W]
Keypad	0.12	1.54
Touch keypad	0.12	1.54
Fingerprint reader	0.73	1.54
125 kHz RFID card reader	0.52	1.31
13.56 MHz RFID card reader	0.44	0.82
RFID card reader 13.56 MHz, NFC	0.44	0.82
Secured 13.56 MHz NFC RFID card reader	0.44	0.82
Touch display	1.16	2.02
Induction loop	0.18	2.99
Fingerprint scanner	0.73	1.54
I/O module	0.31 (+ 0.13 for relay activation)	0.65
Wiegand module	0.46	0.46
Tamper Switch	0.31	0.65
Blind panel	×	×

### Specimen configuration consumption computation

Module	Maximum consumption [W]	Maximum consumption [W]
Main unit with camera	2.36	11.57
		12,5

Module	Maximum consumption [W]	Maximum consumption [W]
13.56 MHz RFID card reader	0.44	0.82
I/O	0.31	0.65
Touch display	1.16	2.02
Tamper Switch	0.31	0.65
Wiegand	0.46	0.46
Bluetooth reader	0.2	0.67
<b>Total</b>	<b>5.24</b>	<b>16.84</b>

It is obvious from the specimen configuration that all the modules have sufficient outputs when an external power supply is used. When a PoE supply is used, the power output is insufficient for all the modules, which results in automatic decrease in the backlight level, active output current supply, volume level and LED intensity.

Some modules need a specific power output for their specific activities: the I/O module, e.g., requires 0.13 W for relay activation (not included in the minimum consumption).

## Module Specifications



### CAUTION

**2N Access Unit QR** supports connection of just one Bluetooth module. If connected, multiple Bluetooth modules may result in a undesired behavior.



### TIP

To accelerate access card reading, we recommend that the used card types are only selected in the module settings.

### 125 kHz RFID Card Reader Module

The 125 kHz RFID card reader module (91550941, 02140-001) is used for reading RFID card IDs in the 125 kHz bandwidth.

To accelerate access card reading, we recommend that the used card types are only selected in the module settings.



#### **CAUTION**

We recommend that the M-Bus and LAN cable are not crossed but carried separately through separate bushings to increase the reading distance of this reader & touch display installation.

## **Features**

- The module contains two bus connectors for the **2N Access Unit QR** bus.
- These two connectors are fully interchangeable and can be used either as inputs from the main unit or outputs to other modules.
- If this module is the last one on the bus, one of the connectors remains unconnected.
- The module package includes a 220 mm long interconnecting cable.

Supported RFID cards 125 kHz:

- EM4x02
- HID Prox

### **13.56 MHz, NFC RFID Card Reader Module**

The 13.56 MHz RFID card reader (91550942, 02139-001) is used for reading RFID card IDs in the 13.56 kHz bandwidth.

To accelerate access card reading, we recommend that the used card types are only selected in the module settings.

## **Features**

- The module contains two bus connectors for the **2N Access Unit QR** bus.
- These two connectors are fully interchangeable and can be used either as inputs from the main unit or outputs to other modules.
- If this module is the last one on the bus, one of the connectors remains unconnected.
- The module package includes a 220 mm long interconnecting cable.

Supported RFID cards 13.56 MHz:

- **ISO14443A** (MIFARE Classic, MIFARE Plus, MIFARE Mini, MIFARE Ultralight, MIFARE DESFire CSN only)
- **ISO14443B** (Calypso)
- **PicoPass** (HID iClass CSN, Picopass)
- **FeliCa** (Standard, Lite)
- **ST SR** (SR, SRI, SRIX)
- **My2N**
- **2N PICard**

### **Secured 13.56 MHz NFC RFID Card Reader Module**

The 13.56 MHz RFID card reader (91550942-S/9155086, 02141-001/01712-001) is used for reading secured RFID card IDs in the 13.56 MHz bandwidth.

## Features

- The module contains two bus connectors for the **2N Access Unit QR** bus.
- These two connectors are fully interchangeable and can be used either as inputs from the main unit or outputs to other modules.
- If this module is the last one on the bus, one of the connectors remains unconnected.
- The module package includes a 220 mm long interconnecting cable.

Supported RFID cards 13.56 MHz:

- **ISO14443A** (MIFARE Classic, MIFARE Plus, MIFARE Mini, MIFARE Ultralight, MIFARE DESFire CSN only)
- **ISO14443B** (Calypso)
- **PicoPass** (HID iClass CSN, Picopass)
- **FeliCa** (Standard, Lite)
- **ST SR** (SR, SRI, SRIX)
- **HID PAC** (HID SEOS, HID iClass SE, iClass SR, HID MIFARE DESFire with SIO, HID MIFARE Classic with SIO)
- **My2N**
- **2N PICard**

## Bluetooth & 125 kHz, 13.56 MHz, NFC RFID Card Reader Module

The Bluetooth & 125 kHz and 13.56 MHz card reader module (91550945, 02778-001) is used for access control using a smartphone/tablet with **My2N** or an access card, for making user calls and/or controlling other functions.

To accelerate access card reading, we recommend that the used card types are only selected in the module settings.

## Features

- NFC – for **2N My2N** for Android only, a licensed function.
- The module contains two bus connectors for the **2N Access Unit QR** bus.
- These two connectors are fully interchangeable and can be used either as inputs from the main unit or outputs to other modules.
- If this module is the last one on the bus, one of the connectors remains unconnected.
- The module package includes a 220 mm long interconnecting cable.

Supported RFID cards 125 kHz:

- EM4x02
- HID Prox

Supported RFID cards 13.56 MHz:

- **ISO14443A** (MIFARE Classic, MIFARE Plus, MIFARE Mini, MIFARE Ultralight, MIFARE DESFire CSN only)
- **ISO14443B** (Calypso)
- **PicoPass** (HID iClass CSN, Picopass)
- **FeliCa** (Standard, Lite)
- **ST SR** (SR, SRI, SRIX)
- **My2N**
- **2N PICard**

## Bluetooth & 125 kHz, secured 13.56 MHz, NFC RFID Card Reader Module

The Bluetooth & 125 kHz and secured 13.56 MHz card reader module (91550945-S, 02444-001) is used for access control using a smartphone/tablet with **2N My2N** or an access card, for making user calls and/or controlling other functions.

To accelerate access card reading, we recommend that the used card types are only selected in the module settings.

### Features

- NFC – for **2N My2N** for Android only, a licensed function.
- The module contains two bus connectors for the **2N Access Unit QR** bus.
- These two connectors are fully interchangeable and can be used either as inputs from the main unit or outputs to other modules.
- If this module is the last one on the bus, one of the connectors remains unconnected.
- The module package includes a 220 mm long interconnecting cable.

Supported RFID cards 125 kHz:

- EM4x02
- HID Prox

Supported RFID cards 13.56 MHz:

- **ISO14443A** (MIFARE Classic, MIFARE Plus, MIFARE Mini, MIFARE Ultralight, MIFARE DESFire CSN only)
- **ISO14443B** (Calypso)
- **PicoPass** (HID iClass CSN, Picopass)
- **FeliCa** (Standard, Lite)
- **ST SR** (SR, SRI, SRIX)
- **HID PAC** (HID SEOS, HID iClass SE, iClass SR, HID MIFARE DESFire with SIO, HID MIFARE Classic with SIO)
- **My2N**
- **2N PICard**

## Touch Keypad & 125 kHz, 13.56 MHz, NFC RFID Card Reader Module

The touch keypad & 125 kHz and 13.56 MHz card reader module (91550946, 02779-001) is used for code/card access control, making user calls and/or controlling other functions. The touch keypad surface is very sensitive yet weatherproof at the same time.

To accelerate access card reading, we recommend that the used card types are only selected in the module settings.

### Features

- NFC – for **2N My2N** for Android only, a licensed function.
- The module contains two bus connectors for the **2N Access Unit QR** bus.
- These two connectors are fully interchangeable and can be used either as inputs from the main unit or outputs to other modules.
- If this module is the last one on the bus, one of the connectors remains unconnected.
- The module package includes a 220 mm long interconnecting cable.

Supported RFID cards 125 kHz:

- EM4x02
- HID Prox

Supported RFID cards 13.56 MHz:

- **ISO14443A** (MIFARE Classic, MIFARE Plus, MIFARE Mini, MIFARE Ultralight, MIFARE DESFire CSN only)
- **ISO14443B** (Calypso)
- **PicoPass** (HID iClass CSN, Picopass)
- **FeliCa** (Standard, Lite)
- **ST SR** (SR, SRI, SRIX)
- **My2N**
- **2N PICard**

### Touch Keypad & 125 kHz, secured 13.56 MHz, NFC RFID Card Reader Module

The touch keypad with a combined 125 kHz and secured 13.56 MHz card reader (91550946-S, 02443-001) is used for code/card access control, making user calls and/or controlling other functions. The touch keypad surface is very sensitive yet weatherproof at the same time.

To accelerate access card reading, we recommend that the used card types are only selected in the module settings.

### Features

- NFC – for **2N My2N** for Android only, a licensed function.
- The module contains two bus connectors for the **2N Access Unit QR** bus.
- These two connectors are fully interchangeable and can be used either as inputs from the main unit or outputs to other modules.
- If this module is the last one on the bus, one of the connectors remains unconnected.
- The module package includes a 220 mm long interconnecting cable.

Supported RFID cards 125 kHz:

- EM4x02
- HID Prox

Supported RFID cards 13.56 MHz:

- **ISO14443A** (MIFARE Classic, MIFARE Plus, MIFARE Mini, MIFARE Ultralight, MIFARE DESFire CSN only)
- **ISO14443B** (Calypso)
- **PicoPass** (HID iClass CSN, Picopass)
- **FeliCa** (Standard, Lite)
- **ST SR** (SR, SRI, SRIX)
- **HID PAC** (HID SEOS, HID iClass SE, iClass SR, HID MIFARE DESFire with SIO, HID MIFARE Classic with SIO)
- **My2N**
- **2N PICard**

### Touch Keypad & Bluetooth & 125 kHz, 13.56 MHz, NFC RFID Card Reader Module

The touch keypad with Bluetooth and a combined 125 kHz and 13.56 MHz card reader (91550947, 02781-001) is used for access control using a smartphone/tablet with **2N My2N** or code/access card, for making user calls and/or controlling other functions. The touch keypad surface is very sensitive yet weatherproof at the same time.

To accelerate access card reading, we recommend that the used card types are only selected in the module settings.

### Features

- NFC – for **2N My2N** for Android only, a licensed function.

- The module contains two bus connectors for the **2N Access Unit QR** bus.
- These two connectors are fully interchangeable and can be used either as inputs from the main unit or outputs to other modules.
- If this module is the last one on the bus, one of the connectors remains unconnected.
- The module package includes a 220 mm long interconnecting cable.

Supported RFID cards 125 kHz:

- EM4x02
- HID Prox

Supported RFID cards 13.56 MHz:

- **ISO14443A** (MIFARE Classic, MIFARE Plus, MIFARE Mini, MIFARE Ultralight, MIFARE DESFire CSN only)
- **ISO14443B** (Calypso)
- **PicoPass** (HID iClass CSN, Picopass)
- **FeliCa** (Standard, Lite)
- **ST SR** (SR, SRI, SRIX)
- **My2N**
- **2N PICard**

### Touch Keypad & Bluetooth & 125 kHz, secured 13.56 MHz, NFC RFID Card Reader Module

The touch 02781-001 keypad & Bluetooth & 125 kHz and secured 13.56 MHz card reader module (91550947-S, 02782-001) is used for access control using a smartphone/tablet with **2N My2N** or code/ access card, for making user calls and/or controlling other functions. The touch keypad surface is very sensitive yet weatherproof at the same time.

To accelerate access card reading, we recommend that the used card types are only selected in the module settings.

### Features

- NFC – for **2N My2N** for Android only, a licensed function.
- The module contains two bus connectors for the **2N Access Unit QR** bus.
- These two connectors are fully interchangeable and can be used either as inputs from the main unit or outputs to other modules.
- If this module is the last one on the bus, one of the connectors remains unconnected.
- The module package includes a 220 mm long interconnecting cable.

Supported RFID cards 125 kHz:

- EM4x02
- HID Prox

Supported RFID cards 13.56 MHz:

- **ISO14443A** (MIFARE Classic, MIFARE Plus, MIFARE Mini, MIFARE Ultralight, MIFARE DESFire CSN only)
- **ISO14443B** (Calypso)
- **PicoPass** (HID iClass CSN, Picopass)
- **FeliCa** (Standard, Lite)
- **ST SR** (SR, SRI, SRIX)
- **HID PAC** (HID SEOS, HID iClass SE, iClass SR, HID MIFARE DESFire with SIO, HID MIFARE Classic with SIO)

- **My2N**
- **2N PICard**



**CAUTION**

Press the “key” button on the card reader (without having entered any numbers) on the touch keypad & Bluetooth & RFID card reader module to start Bluetooth authentication.

## Touch Keypad Module

The Touch Keypad module (9155047, 01277-001) is used for numeric access to the system. Also, it helps you control the lock and other functions via a numeric code. The keypad digits and symbols are backlit.

### Features

- The module contains two bus connectors for the **2N Access Unit QR** bus.
- These two connectors are fully interchangeable and can be used either as inputs from the main unit or outputs to other modules.
- If this module is the last one on the bus, one of the connectors remains unconnected.
- The module package includes a 220 mm long interconnecting cable.

## Biometric Fingerprint Reader Module

The Biometric fingerprint reader module (9155045, 01276-001) is used for verification of human fingers for access control and 2N/third party equipment control.



**WARNING**

The fingerprint reader may not be installed on places exposed to direct sunlight. If exposed to direct sunlight, the device may report errors.

### Features

- The module contains two bus connectors for the **2N Access Unit QR** bus.
- These two connectors are fully interchangeable and can be used either as inputs from the main unit or outputs to other modules.
- If this module is the last one on the bus, one of the connectors remains unconnected.
- The module package includes a 220 mm long interconnecting cable.

Important module properties:

- FBI PIV and Mobile ID certification – FAP20
- durable glass touch surface
- rejection of spoof fingerprints
- operating temperature range: –20 to 55 °C
- 0–90 % relative humidity, noncondensing

**CAUTION**

- A higher moisture may deteriorate the finger papillary line scanning. You are advised to dry your finger and the reader scanning surface for successful authentication.
- Fingerprint scanning may be more difficult for seniors whose finger papillary lines are not so distinctive (skin elasticity drops with age and a higher scanning pressure may lead to fingerprint blurring).

**Touch Display Module**

The Touch display (9155036, 01275-001) can be used as:

- Infopanel Module – displays the user defined image sequence
- Keypad module – virtual touch keypad

**Specification**

Resolution	320 px x 214 px H x V
Slideshow resolution	214 px x 214 px
Contrast ratio	400
Brightness	350 cd/m <sup>2</sup>
Viewing angle	80 ° from any direction
Weight	280 g
Operating temperature	-20 to +60°C
Resistance level	IK07

**Connectors and Installation**

Connection Options:

- The module contains two bus connectors for the **2N Access Unit QR** bus.
- These two connectors are fully interchangeable and can be used either as inputs from the main unit or outputs to other modules.
- If this module is the last one on the bus, one of the connectors remains unconnected.
- The module package includes a 220 mm long interconnecting cable.

**Keypad Module**

The Keypad module (Part No. 9155031/9155031B, 01253-001/01254-001) is used for numeric access to the system.

## Features

- The module contains two bus connectors for the **2N Access Unit QR** bus.
- These two connectors are fully interchangeable and can be used either as inputs from the main unit or outputs to other modules.
- If this module is the last one on the bus, one of the connectors remains unconnected.
- The module package includes a 220 mm long interconnecting cable.

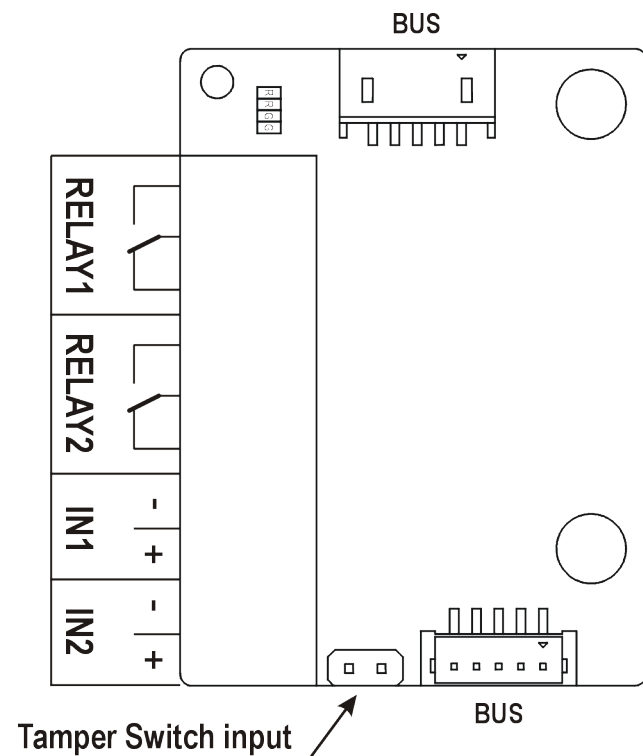
## I/O Module

The I/O module (9155034, 01257-001) is used for extending the inputs and outputs. The module is designed for integration of sensors or other devices. The module is installed below another module, i.e. .

## Features

- The module contains two bus connectors for the **2N Access Unit QR** bus.
- These two connectors are fully interchangeable and can be used either as inputs from the main unit or outputs to other modules.
- If this module is the last one on the bus, one of the connectors remains unconnected.
- The module package includes a 80 mm long interconnecting cable.
- The inputs / outputs are addressed as follows: <module\_name>.<input/output\_name>, e.g. "module5.relay1". Configure the module name in the Module Name parameter in **Hardware > Extending modules**.

## Connectors and Installation



RELAY1/2      RELAY1/2 terminals with accessible 30 V / 1 A AC/DC NO/NC contact

IN1/2      IN1/2 terminals for input in passive / active mode (–30 V to +30 V DC)

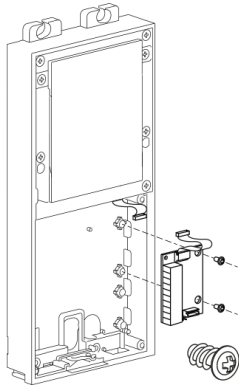
- OFF = open or  $U_{IN} > 1.5 \text{ V}$
- ON = short-circuited or  $U_{IN} < 1.5 \text{ V}$

TAMPER Tamper Switch (9155038, 01260-001) input

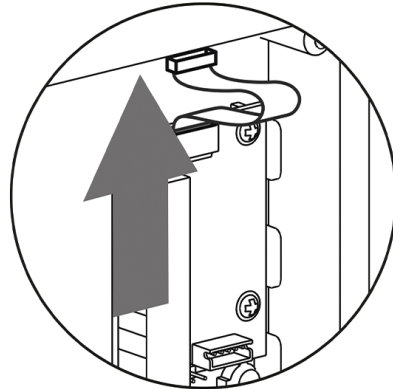
 **NOTE**  
2N Access Unit 2.0 has an integrated tamper switch.

The module is installed under another module, i.e. needs no separate position.

1.



2.



## Wiegand Module

The Wiegand module (9155037, 01259-001) is used for connecting an external Wiegand device (RFID card reader, fingerprint/biometric data scanner) and/or connecting **2N Access Unit QR** to an external security exchange.

## Features

- The module contains two bus connectors for the **2N Access Unit QR** bus.
- These two connectors are fully interchangeable and can be used either as inputs from the main unit or outputs to other modules.
- If this module is the last one on the bus, one of the connectors remains unconnected.
- The module package includes a 80 mm long interconnecting cable.
- Configure the module name in the Module Name parameter in **Hardware > Extending modules**.
  - LED IN is addressed as follows: <module\_name>.<input1>, e.g. "module2.input1".
  - The Tamper input is addressed as follows: <module\_name>.<tamper>, e.g. "module2.tamper".
  - LED OUT (negated) is addressed as follows: <module\_name>.<output1>, e.g. "module2.output1".

## Specification

### Technical Parameters of Wiegand Input

Current	5 mA
---------	------

---

Input resistance	680 Ω
------------------	-------

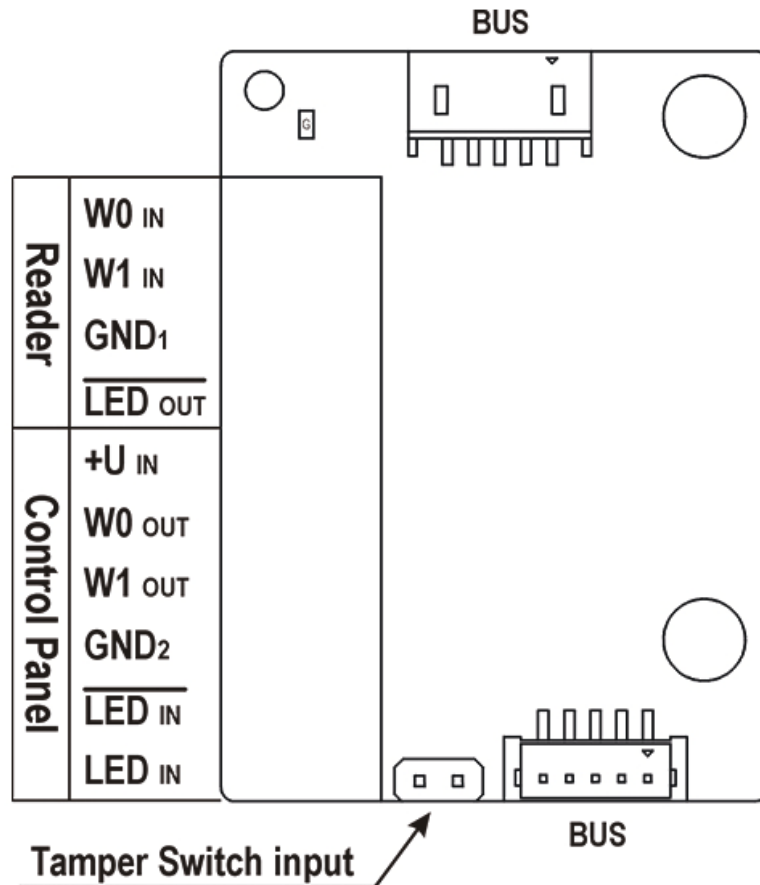
---

Pulse length 50  $\mu$ s

Inter-pulse interval approx. 2 ms

### Connectors and Installation

All the inputs and outputs are galvanically isolated from the device with the insulation strength of 500 V DC. It is necessary to feed +U<sub>IN</sub> on Wiegand W0<sub>OUT</sub> from the Control Panel.



Reader helps connect an external Wiegand-supporting reader. The reader sends the device card ID.

The Control Panel is used for connection to the security PBX / access system to which the device sends the card ID information.

The module contains two BUS connectors for device bus connection. These two connectors are fully interchangeable and can be used either as inputs from the main unit or outputs to other modules.

Reader	W0 <sub>IN</sub> , W1 <sub>IN</sub> , GND <sub>1</sub>	Isolated 2-wire WIEGAND IN
--------	---	----------------------------

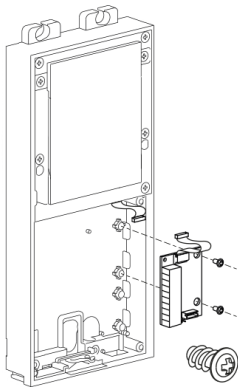
LED <sub>OUT</sub>	Isolated open LED OUT switched against GND <sub>1</sub> (up to 24 V / 50 mA)
--------------------	--

## Main and Extending Modules

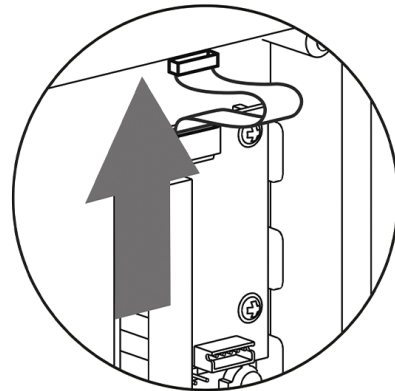
Control Panel	+U <sub>IN</sub>	+U <sub>IN</sub> (5 to 15 V DC) for WIEGAND OUT power supply
<hr/>		
	W0 <sub>OUT</sub> , W1 <sub>OUT</sub> , GND <sub>2</sub>	Isolated 2-wire WIEGAND OUT
<hr/>		
	LED <sub>IN</sub> (nega- ted)	Isolated input for open LED IN, input activated by GND <sub>2</sub> connec- tion
<hr/>		
	LED <sub>IN</sub>	Isolated input for open LED IN, input activated after +U connec- tion
<hr/>		
	G	+U <sub>IN</sub> WIEGAND OUT active supply LED indicator
<hr/>		
	TAMPER	Tamper Switch (9155038, 01260-001) input

The module is installed under another module, i.e. needs no separate position.

1.

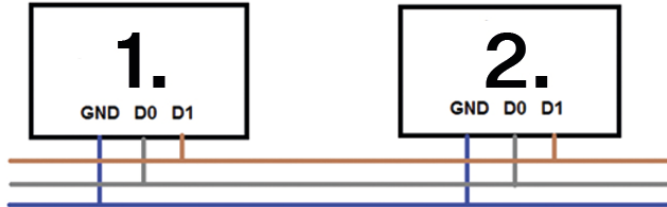


2.



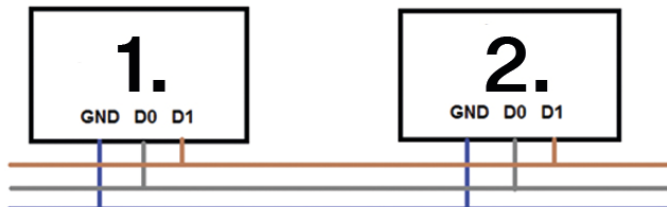
**Recommended Wiegand bus wiring diagram, 2N device as a receiver.**

1. **2N Access Unit QR**
2. External RFID Card Reader



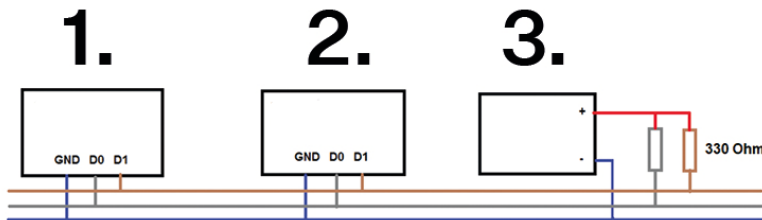
**Recommended Wiegand bus wiring diagram, 2N device as a transmitter.**

1. External RFID Card Reader
2. **2N Access Unit QR**



**Recommended reader & OC output wiring diagram**

1. **2N Access Unit QR**
2. External RFID Card Reader
3. 5 V power supply

**Security Relay**

The Security Relay (9159010, 01386-001) is used for enhancing security between **2N Access Unit QR** and the connected electric lock. The Security Relay significantly enhances security of the connected electric lock by preventing unlocking due to device tampering.

**TIP**

FAQ: [2N Security Relay – description of the device and use with the 2N intercoms](#)

**Specification**

Passive switch      NO/NC contact, up to 30 V / 1 A AC/DC

Switched out-  
put

- Where the Security Relay is fed from the device, 8 to 12 V DC is available on the output depending on the power supply, 400 mA DC.
  - PoE: 10 V
  - adapter: source voltage of minus 2 V
- Where the Security Relay is fed from an external power supply, 12 V / 700 mA DC is available on the output.

Dimensions      66.5 × 32.5 × 20.5 mm

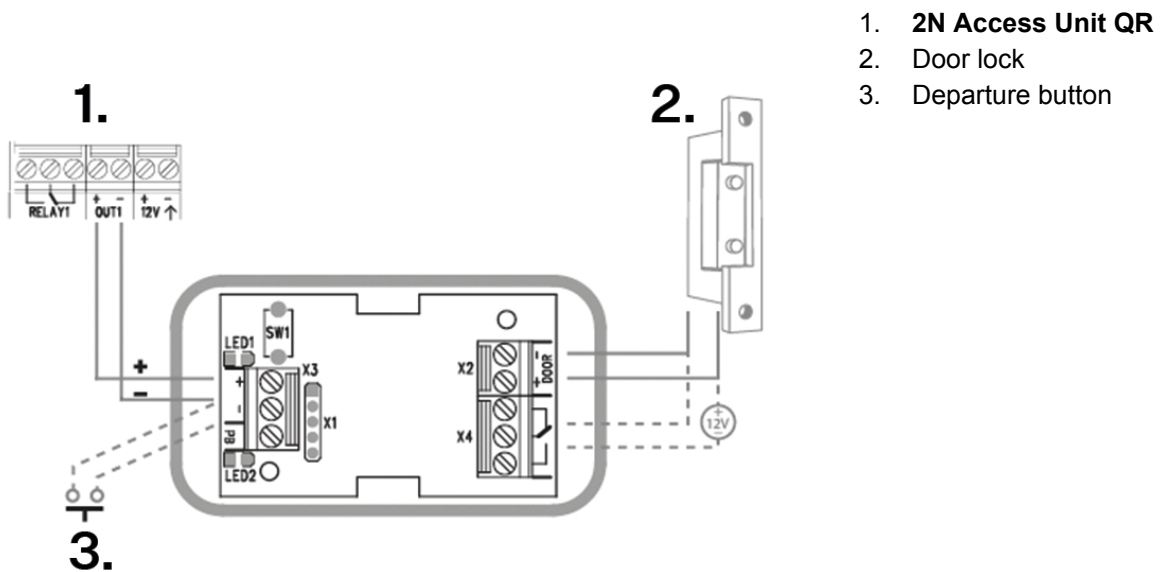
Weight      24 g

## Connectors and Installation

The Security Relay is installed between the device (outside the secured area) and the electric lock (inside the secured area). The Security Relay includes a relay that can only be activated if a valid access card/code is detected on the unit.

The Security Relay is installed on a two-wire cable between the device and the electric lock inside the area to be secured (typically behind the door). The Security Relay is powered and controlled via this two-wire cable and can thus be added to an existing installation. Thanks to its compact dimensions, the device can be installed into a standard mounting box.

The Security Relay is designed with holes for surface anchoring. It is recommended that a screw of the diameter of 3 mm with a lens head of the diameter of 6 mm is used. Using a countersunk head may cause irreversible damage to the plastic cover!



1. **2N Access Unit QR**
2. Door lock
3. Departure button

Connect the Security Relay to the access unit as follows:

- To the Active output

Connect the electric lock to the Security Relay as follows:

- to the switched output
- to the passive output in series with the external power supply

The Security Relay also supports the Departure button connected to the 'PB' and '- 2N IP intercom' terminals. Once the Departure button is pressed, the output is activated for 5 seconds.

<https://www.youtube.com/embed/ardukvQzw5A>

## Status Signaling

Green LED	Red LED	State
flashing	off	Operational mode

Green LED	Red LED	State
on	off	Activated output
flashing	flashing	Programming mode – waiting for initialization
on	flashing	Error – wrong code

## Configuration

1. Connect the Security Relay to the properly set Security output of the device. Refer to the Configuration Manual for details. Make sure that one LED at least is on or flashing.
2. Press and hold the Relay RESET button for 5 seconds to switch the device in the programming mode (red and green LEDs flashing).
3. Activate the output switch using the keypad, telephone, etc. The first code sent from the device will be stored in the memory and considered valid. After code initialization, the Security Relay will pass into the operational mode (green LED flashing).



### CAUTION

Having reset the factory defaults on a device with firmware 2.18 or higher, remember to reprogram Security Relay using the instructions above.

## Tamper Switch Module

The Tamper Switch module (9155038, 01260-001) of **2N Access Unit QR** is used for securing the system against unauthorized tampering.



### CAUTION

**Remember** to purchase [I/O Module \(p. 103\)](#), [???](#) or [Wiegand Module \(p. 104\)](#) along with the Tamper Switch.

## Features

The module contains two switches that open whenever the front frame is removed:

- One switch leads directly to the terminal board and is designed for connection to an external security exchange (32 V DC / 50 mA max).
- The other switch, in combination with the [I/O module \(p. 103\)](#), [OSDP module](#) or [Wiegand module \(p. 104\)](#), can be used for alarm triggering via the Automation interface in the **2N Access Unit QR** configuration.

## Connectors and Installation

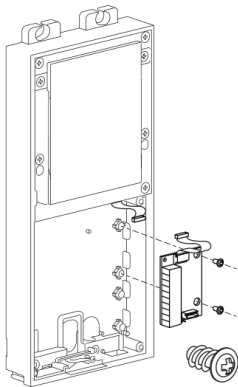
This module is not connected to the bus.

## Main and Extending Modules

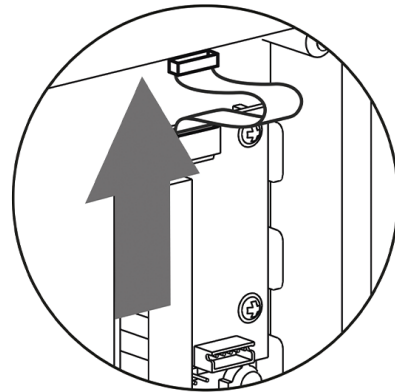


Jumpers are used for interconnecting the Tamper Switch pins with the I/O / OSDP / Wiegand module.

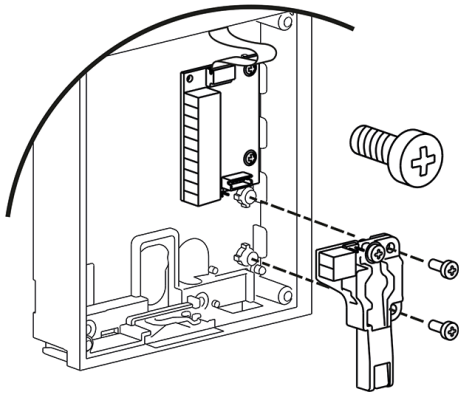
1.



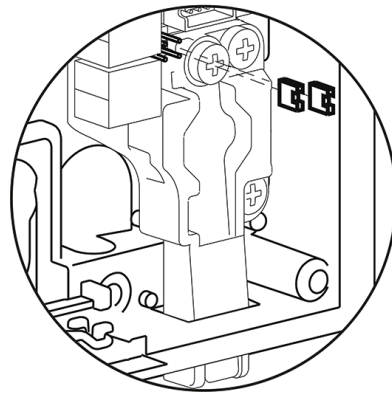
2.



3.



4.



### Infopanel Module

The Infopanel module (9155030, 0159-7891) is used for inserting and backlighting printed information. It helps place a company logo or opening hours, e.g., to the device. The Infopanel is backlit, the backlight is software controlled. Refer to [2N.com](http://2N.com) for the printing template.

### Features

- The module contains two bus connectors for the **2N Access Unit QR** bus.
- These two connectors are fully interchangeable and can be used either as inputs from the main unit or outputs to other modules.
- If this module is the last one on the bus, one of the connectors remains unconnected.
- The module package includes a 220 mm long interconnecting cable.

### Specification

Nametag dimensions (W x H)

69.2 x 86.7 mm (tolerance: +0; -0.5 mm)

# Brief Guidelines

## IP Address Retrieval

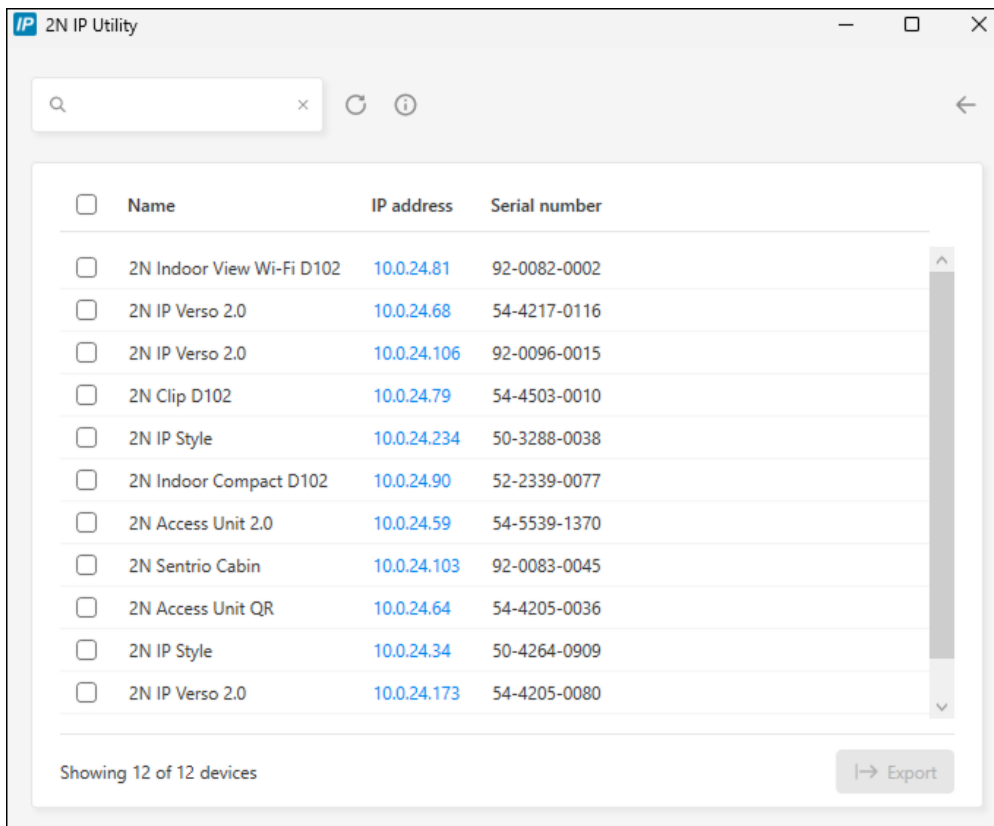
To retrieve the device IP address, take the following steps:

- Use the freely accessible 2N IP Utility.
- Use hardware (CONTROL button).

### IP Address Retrieval Using 2N IP Utility

The 2N IP Utility application helps find the 2N device IP address in the LAN. Download 2N IP Utility from the [2N.com](https://www.2n.com) website. Make sure that Microsoft .NET Framework 4.7.2 is installed for successful app installation.

1. Run the 2N IP Utility installer.
2. The Installation Wizard will help you with the installation.
3. Having installed 2N IP Utility, start the application using the Microsoft Windows Start menu. Once started, the application begins to automatically search the LAN for all the 2N and AXIS devices which have been DHCP/statically assigned IP addresses. These devices are then shown in a table.



4. Select the device to be configured and left-click it. This opens the right-hand part of the web configuration interface window.



**TIP**

- Access to the web configuration interface is also possible via the **Open in external browser** button, which opens the interface in a separate browser window.
- Click a device in the list to display detailed information. Click the **IP settings** button to change the IP address by entering the required static IP address or activating DHCP.
- The application also allows you to export selected devices into a CSV file. First select a device by ticking the boxes in the list, then use the **Export** button that appears at the bottom of the window. The exported file shall include the names, IP addresses and serial numbers of the selected devices.

The default login data are:

Username: **Admin**

Password: **2n**

It is necessary to change the password immediately upon the first login.




**TIP**

It is recommended that a password is used that is difficult to break. It is not recommended that names, places or things, especially those closely related to the user, are used in the password.

For increased password security, it is recommended that:

- the random password generator is used,
- the password length is 12 characters at least,
- various characters from different character sets are combined (small/capital letters, digits, special characters, etc.).

## IP Address Retrieval with CONTROL Button

1. Connect the device to the power supply (if connected, disconnect and reconnect it).
2. Wait for the device to start up completely.  
Backlight turning on indicates a complete start-up.
3. Press and hold the CONTROL button.  
Gradually wait for the following signals:
  - a. one beep 
4. Release the CONTROL button.
5. The device announces the current IP address via the speaker automatically.



**NOTE**

Remember to press the CONTROL button within 30 seconds after the device starts up.

Release the button within 3 seconds after the appropriate tones are heard. If you release the button outside this time interval, the process will be interrupted and have to be repeated from the beginning.

## Access to web device configuration

Configure **2N Access Unit QR** via a web configuration interface, which is accessible from a web browser.



You need to know the IP address or domain name of the device for access to the interface. Make sure that the device is connected to the local IP network and powered.

The web configuration interface can also be accessed from the connected My2N portal or the 2N Access Commander configuration tool.

### Web Configuration Interface Login

1. Start your Internet browser.
2. Enter the device IP address or domain name (refer to Subs.[Finding devices in the network](#)).
3. If no certificate has been generated for the IP address, a security certificate invalidity notification may appear. In that case, confirm that you want to go to the web configuration interface.
4. The login screen is now displayed.
5. Enter the login data.  
The default login data are:
  - Username: **Admin**
  - Password: **2n**
6. After the first login, change the password.

### Access from 2N Access Commander

1. Log in to the Access Commander interface.
2. Go to the  Devices page.
3. For the selected device, press .

### Password Change

You must change the default password to get full access to the web configuration interface features. You cannot configure the device without changing the default password.



#### TIP

It is recommended that a password is used that is difficult to break. It is not recommended that names, places or things, especially those closely related to the user, are used in the password.

For increased password security, it is recommended that:

- the random password generator is used,
- the password length is 12 characters at least,
- various characters from different character sets are combined (small/capital letters, digits, special characters, etc.).

### Recommended browsers

The web configuration interface is optimized for the Chromium-based web browsers (Google Chrome, Microsoft Edge or Opera, e.g.). With other browsers, there may be slight differences in the interface function and appearance.

## Firmware Update

New firmware versions are available on the update server. If the web configuration interface does not provide access to the public Internet, it is possible to upload the firmware file manually to the device.



### NOTE

Firmware updates are not automatic. To ensure system integrity and eliminate unintentional failures, all updates must be manually confirmed or initiated by the user. Please check the release notes of the new version and verify compatibility with your existing infrastructure before performing any updates.

## Getting Firmware from Update Server

1. Go to **System > Maintenance > Firmware**.
2. Click **Check for Updates**.
3. If an update is available, its release notes are loaded. To start the upgrade, click **Upgrade** in the window header.
4. Once the firmware is uploaded successfully, the device is restarted automatically. After the restart, the device becomes fully operational with a new firmware version. The FW upgrade does not affect configuration.

## Uploading New Firmware from Storage

1. Go to **System > Maintenance > Firmware**.
2. Click **Upload Firmware**.
3. In the open dialog box, select a file from your own storage.
4. Click **Upload** to confirm the file upload.  
The device checks the firmware file and prevents you from uploading an incorrect or corrupt file.
5. Once the firmware is uploaded successfully, the device is restarted automatically. After the restart, the device becomes fully operational with a new firmware version. The FW upgrade does not affect configuration.



### NOTE

The functions, reliability and security of the device depend on the firmware installed. Regular firmware upgrades to the latest version are included in the product terms of use. Errors that may be caused by the use of an outdated firmware version cannot be the subject of a claim. The current firmware implements customer experience and requirements in the field of personal data security.

## Device Restart

To restart the device choose one of the following options:

- using power disconnection and reconnection
- via the web configuration interface.

The device restart does not result in any change in the configuration settings.

## Restart Using Web Configuration Interface

1. Open the web configuration interface.
2. Go to **System > Maintenance**.
3. Press **Restart Device** in the page header.

## Factory Default Reset

The factory settings can be restored

- via the web configuration interface.
- Use hardware (CONTROL button).







### CAUTION

In case the factory default values are reset on the device with a firmware version 2.18 or higher, it is necessary to reprogram the 2N Security Relay using the instructions given in [Security Relay \(p. 108\)](#).

## Factory Default Reset via Web Configuration Interface

Soft reset the device factory default values in **System > Maintenance** using Default Reset.

## Factory Default Reset with CONTROL Button

1. Connect the device to the power supply (if connected, disconnect and reconnect it).
2. Wait for the device to start up completely.  
Backlight turning on indicates a complete start-up.
3. Press and hold the CONTROL button.  
Gradually wait for the following signals:
  - a. one beep 
  - b. two beeps after 3 seconds 
  - c. three beeps after 3 seconds 
  - d. four beeps after 3 seconds 
4. Release the CONTROL button.
5. The device reboots and starts up with the factory settings.



### NOTE

Remember to press the CONTROL button within 30 seconds after the device starts up.

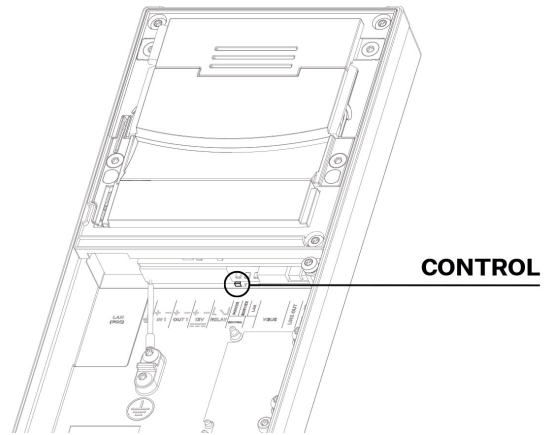
Release the button within 3 seconds after the appropriate tones are heard. If you release the button outside this time interval, the process will be interrupted and have to be repeated from the beginning.

## Configuration via Hardware

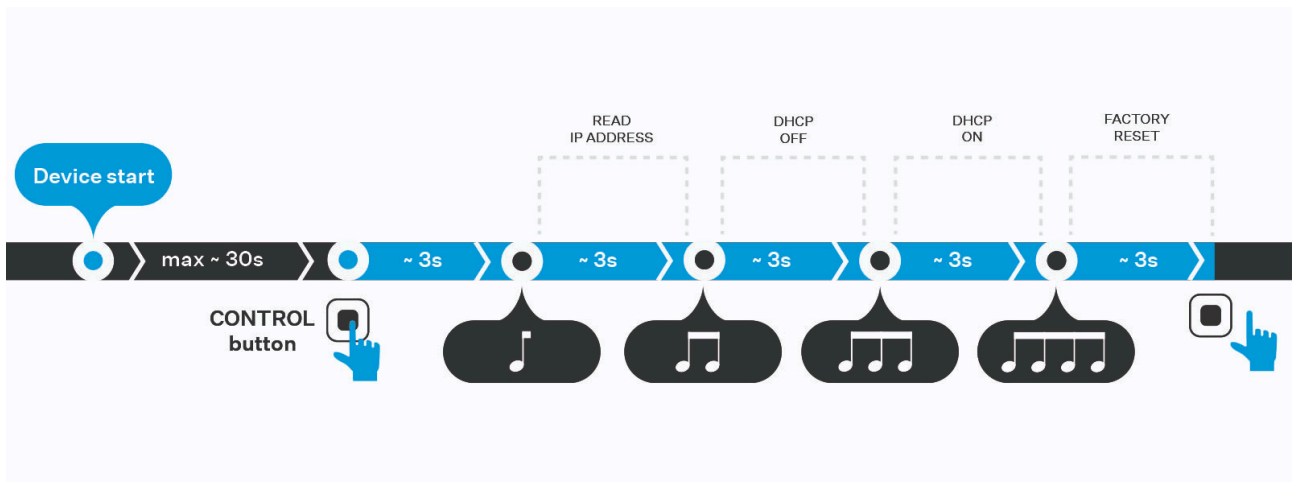
Where software configuration is unavailable, make the basic settings using the hardware CONTROL button.

The CONTROL button allows you to retrieve the device IP address, switch the IP address retrieval mode or restore the factory settings.

### CONTROL Button Position



### Hardware Configuration Intervals



Once the device is started, you have 30 seconds to press and hold the button to trigger a sequence of sound signals (beeps). Each function is assigned to a certain number of beeps. Releasing the button within a given interval will perform the corresponding action. If you continue to hold the button after the fourth beep, the device will not execute any action and the process will be aborted.

### IP Address Retrieval with CONTROL Button



1. Connect the device to the power supply (if connected, disconnect and reconnect it).
2. Wait for the device to start up completely.  
Backlight turning on indicates a complete start-up.
3. Press and hold the CONTROL button.  
Gradually wait for the following signals:
  - a. one beep
4. Release the CONTROL button.
5. The device announces the current IP address via the speaker automatically.

**NOTE**

Remember to press the CONTROL button within 30 seconds after the device starts up.

Release the button within 3 seconds after the appropriate tones are heard. If you release the button outside this time interval, the process will be interrupted and have to be repeated from the beginning.

## Static IP Address Setting with CONTROL Button




1. Connect the device to the power supply (if connected, disconnect and reconnect it).
2. Wait for the device to start up completely.  
Backlight turning on indicates a complete start-up.
3. Press and hold the CONTROL button.  
Gradually wait for the following signals:
  - a. one beep 
  - b. two beeps after 3 seconds 
4. Release the CONTROL button.
5. The following static network parameters are now set for the device:
  - IP address: 192.168.1.100
  - Network mask: 255.255.255.0
  - Default gateway: 192.168.1.1

**NOTE**

Remember to press the CONTROL button within 30 seconds after the device starts up.

Release the button within 3 seconds after the appropriate tones are heard. If you release the button outside this time interval, the process will be interrupted and have to be repeated from the beginning.

## Dynamic IP Address Setting via CONTROL Button

1. Connect the device to the power supply (if connected, disconnect and reconnect it).
2. Wait for the device to start up completely.  
Backlight turning on indicates a complete start-up.
3. Press and hold the CONTROL button.  
Gradually wait for the following signals:
  - a. one beep 
  - b. two beeps after 3 seconds 
  - c. three beeps after 3 seconds 
4. Release the CONTROL button.
5. The device is now set to obtain an IP address from a DHCP server.







**NOTE**

Remember to press the CONTROL button within 30 seconds after the device starts up.

Release the button within 3 seconds after the appropriate tones are heard. If you release the button outside this time interval, the process will be interrupted and have to be repeated from the beginning.

## Factory Default Reset with CONTROL Button

1. Connect the device to the power supply (if connected, disconnect and reconnect it).
2. Wait for the device to start up completely.  
Backlight turning on indicates a complete start-up.
3. Press and hold the CONTROL button.  
Gradually wait for the following signals:
  - a. one beep 
  - b. two beeps after 3 seconds 
  - c. three beeps after 3 seconds 
  - d. four beeps after 3 seconds 
4. Release the CONTROL button.
5. The device reboots and starts up with the factory settings.



**NOTE**

Remember to press the CONTROL button within 30 seconds after the device starts up.

Release the button within 3 seconds after the appropriate tones are heard. If you release the button outside this time interval, the process will be interrupted and have to be repeated from the beginning.

# Device Control

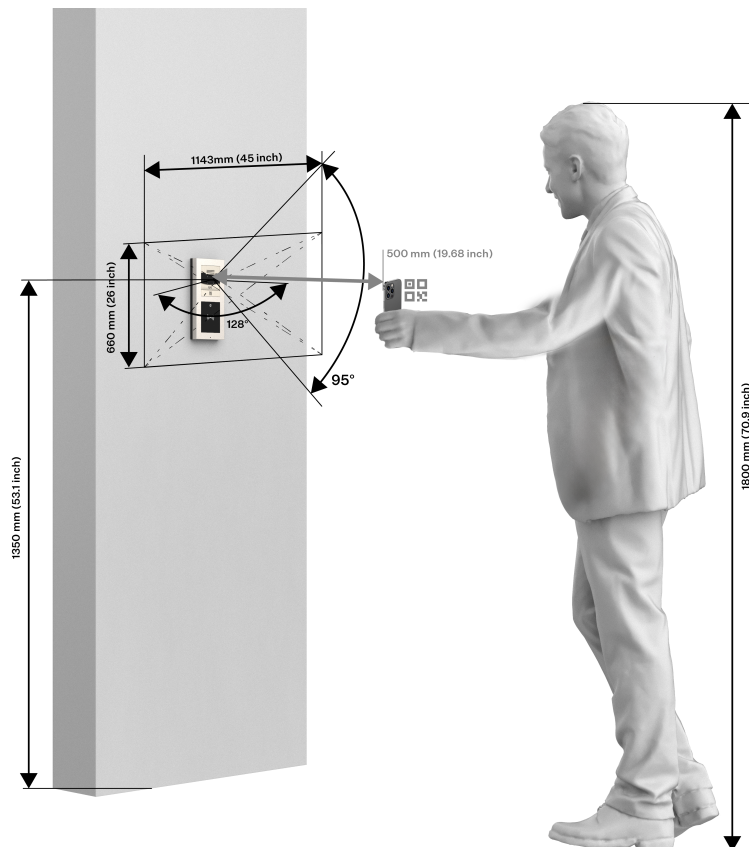
**2N Access Unit QR** is a modular access system that meets all individual user configuration needs. Unlike other access systems available on the market, **2N Access Unit QR** is not a single-module system with a fixed functionality, but represents a user friendly modular system, allowing the user to assemble required modules and accessories on a plug&play basis. This approach allows for individual system configurations and also leaves space for additional functionality if necessary.

The device works as an authorization intermediary, which authenticates the user access rights and, if the user access is valid, activates the switch. The door lock, lifts etc. can be controlled by the switch.

The device control depends on the product version:

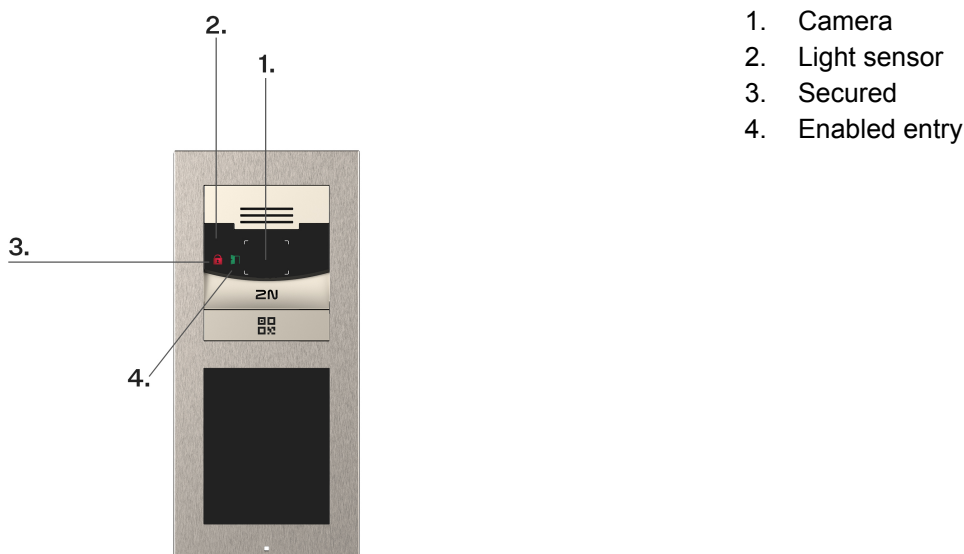
- using RFID cards and chips – by tapping a card/chip on the device,
- using the **2N My2N** application – by pressing the device touchscreen in the vicinity of a mobile device with **2N My2N** logged in,
- using NFC,
- using a QR code,
- using biometric data (fingerprint),
- by entering a numeric access code via a keypad application

The visualization below shows the (range of the) field of view and optimum installation height for the device camera. It is recommended that the QR code is placed 50 cm in front of the camera for optimum reading.



## LED pictograms

The following photo shows the location of the elements on the front of the device.



- 1. Camera
- 2. Light sensor
- 3. Secured
- 4. Enabled entry

## Colour Signalling

Devices with a display or LED pictograms display different statuses in color.

### Status Signaling

Color	State	Description
Red	Active Access Blocking	Occurs if access is not allowed (it is not possible to activate the door switch) or occurs again after a specified period of time after the door switch is deactivated.
	Switch Locking	Applies to a switch that is configured as a door switch.
	Secured Status	Display of this status is only allowed on the device main unit if signaling is available.
Blue	Entering Access Code	Occurs when the user is entering the code and signals the possibility to confirm the code.
Green	Access Enable	Occurs when the access lock is deactivated and signals door opening or switch activation.

## Maintenance - Cleaning

**2N Access Unit QR** contains no environmentally harmful components. Dispose of the device in accordance with the applicable legal regulations.

If used frequently, the device surface gets dirty. Use a piece of soft cloth moistened with clean water to clean the device. Use appropriate cleaning agents suitable for glasses, optical devices, screens, etc. We recommend that IT cleaning wipes are used.



### CAUTION

Use the product for the purposes it was designed and manufactured for, in compliance herewith. The manufacturer reserves the right to modify the product in order to improve its qualities.

If used frequently, the device surface gets dirty. Use a piece of soft cloth moistened with clean water to clean the device. Use appropriate cleaning agents suitable for glasses, optical devices, screens, etc. We recommend that IT cleaning wipes are used.

- Alcohol-based cleaners may not be applied.
- Do not use aggressive detergents (such as abrasives or strong disinfectants).
- Prevent water from getting inside the device.
- Clean the device in dry weather in order to make waste water evaporate quickly.



### TIP

To disinfect the surface of the device against bacteria and viruses (Anti-Covid) and maintain the hygienic conditions of critical surfaces and touch points, we recommend that you use the Zoono – Microbe Shield Surface Sanitiser spray.

# Troubleshooting

Refer to <https://www.2n.com/faqs> for the most frequently solved problems.

## Technical Parameters

### Power supply types

PoE IEEE PoE 802.3af (Class 0, max. 12,95 W) (Class 0, max. 12.95 W)

External supply 12 V  $\pm$ 15 % / 3 A DC

### Audio

Microphone Integrated

Amplifier 5 W (class D)

Speaker 4 W / 8  $\Omega$

Sound pressure level (SPL max) 78 dB (for 1 kHz, distance 1 m)

LINE OUT 1 VRMS / 600  $\Omega$

Volume Control Adjustable with automatic adaptive mode

Audio power output 1.9 W

### Audio stream

Protocols • RTP

Codecs and Used Bandwidth

- G.711 (PCMA, PCMU) – 64 kbps (with 85.6 kbps headers)
- G.729 – 16 kbps (with 29.6 kbps headers)
- G.722 – 64 (with 85.6 kbps headers)
- L16/16kHz – 256 kbps (with 277.6 kbps headers)

## Technical Parameters

### Camera

Sensor	1/2.7" color CMOS
JPEG resolution	Up to 1920 x 1440
Video resolution	1920 x 1440
Frame rate	30 fps (H.264), 15 fps (MJPEG)
Sensor sensitivity	14000e-/lux-sec
Viewing angle	125° (H), 105° (V)
Infrared illumination	Su
Sensor sensitivity without IR light	0.1 Lux ± 20 %
Focal length	1.9 mm

### Video stream

Protocols	<ul style="list-style-type: none"><li>• RTP</li><li>• RTSP</li><li>• RTCP</li><li>• HTTP</li></ul>
ONVIF/RTSP streaming codecs	<ul style="list-style-type: none"><li>• H.264</li><li>• H.265</li><li>• MJPEG</li></ul>
IP Camera Function	Yes – compatible profiles: <ul style="list-style-type: none"><li>• ONVIF v2.4 profile S</li><li>• ONVIF Profile T</li></ul>

## Technical Parameters

### Bandwidth used

#### Audio codecs

- PCMA, PCMU – 64 kbps (with 85.6 kbps headers)
- G.729 kbps – 16 kbps (with 29.6 kbps headers)
- G.722 – 64 kbps (with 85.6 kbps headers)
- L16 / 16 kHz – 256 kbps (with 277.6 kbps headers)

#### Video Codecs

Set streaming in **Services > Streaming > RTSP**. The set bit rate represents the value that the codec has to approach on a long-time average. The data flow can vary depending on the scene to be scanned.

### Interface

#### LAN

10/100BASE-TX with Auto-MDIX, RJ-45

#### Recommended cabling

Cat-5e or higher

#### Supported protocols

DHCP opt. 66, SMTP, 802.1x, RTSP, RTP, TFTP, HTTP, HTTPS, Syslog, ONVIF

#### Passive switch (relay)

Switching (NO), max. 30 V / 1 A AC/DC

#### Active switch output

8 to 12 V DC according to power supply, up to 600 mA

- PoE: 10 V
- adapter: source voltage –2 V

### Bluetooth

#### Bluetooth

in compliance with BLE (Bluetooth Low Energy)

#### Security

Encoding:

- asymmetric RSA-1024
- symmetric AES-128

## Technical Parameters

### Bluetooth

Range	Adjustable: <ul style="list-style-type: none"><li>• short ~ 0.5 m</li><li>• medium ~ 2 m</li><li>• long ~ up to 10 m</li></ul>
RX sensitivity	up to -93 dBm
Consumption	20 mA at 12 V DC
Operating temperature	-40 °C ~ +60 °C
Storing temperature	-40 °C ~ +70 °C
Dimensions	97 x 105 x 30 mm
Support of mobile applications	Android 10.0 and higher, iOS 17.0 and higher

### Touch Display Module

Resolution	214 × 320
Slideshow mode resolution	214 × 320 px, 214 x 214 px
Contrast ratio	400 : 1
Brightness	350 cd/m <sup>2</sup>
Viewing angle	80° from all directions
Weight	280 g
Minimum consumption	1.36 W
Maximum consumption	2.40 W

## Technical Parameters

### Touch Display Module

Operating temperature	-20°C to 60°C
Resistance level	IK07
Directory	residential / business (for 10 000 users)

### I/O module, Wiegand module

Dimensions	43 x 31.5 x 1.5 mm
------------	--------------------

### Mechanical Parameters

Cover		Robust zinc casting with surface finish (minor surface shade nuances are acceptable).
Body material		Versions:
Surface installation dimensions	One-module	107 x 130 x 28 mm
	Two-module	107 x 234 x 28 mm
Flush installation dimensions	Frame – one-module	130 x 153 x 5 mm
	Frame – two-module	130 x 257 x 5 mm
	Box (minimum wall hole) – one-module	108 x 131 x 45 mm
	Box (minimum wall hole) – two-module	108 x 238 x 45 mm

## Technical Parameters

### Mechanical Parameters

Weight (depending on configuration)

Max. net

2 kg

Max. gross

2.5 kg

Operating temperature

-40 °C to 60 °C

Relative humidity

10 to 95 % (non-condensing)

Storing temperature

-40 °C to 70 °C

Protection class

IP54

Resistance level

IK08

## General Instructions and Cautions

Please read this User Manual carefully before using the product and follow the instructions and recommendations included therein.

Any use of the product that is in contradiction with the instructions provided herein may result in malfunction, damage or destruction of the product.

The manufacturer shall not be liable and responsible for any damage incurred as a result of a use of the product other than that included herein, namely undue application and disobedience of the recommendations and warnings.

Any use or connection of the product other than those included herein shall be considered undue and the manufacturer shall not be liable for any consequences arisen as a result of such misconduct.

Moreover, the manufacturer shall not be liable for any damage or destruction of the product incurred as a result of misplacement, incompetent installation and/or undue operation and use of the product in contradiction herewith.

The manufacturer assumes no responsibility for any malfunction, damage or destruction of the product caused by incompetent replacement of parts or due to the use of reproduction parts or components.

The manufacturer shall not be liable and responsible for any loss or damage incurred as a result of a natural disaster or any other unfavorable natural condition.

The manufacturer shall not be held liable for any damage of the product arising during the shipping thereof.

The manufacturer shall not make any warrant with regard to data loss or damage.

The manufacturer shall not be liable and responsible for any direct or indirect damage incurred as a result of a use of the product in contradiction herewith or a failure of the product due to a use in contradiction herewith.

All applicable legal regulations concerning the product installation and use as well as provisions of technical standards on electric installations have to be obeyed. The manufacturer shall not be liable and responsible for damage or destruction of the product or damage incurred by the consumer in case the product is used and handled contrary to the said regulations and provisions.

The consumer shall, at its own expense, procure software protection of the product. The manufacturer shall not be held liable for any damage incurred as a result of the use of deficient security software.

The consumer shall, without delay, change the access password for the product after installation. The manufacturer shall not be held liable or responsible for any damage incurred in connection with the use of the original password.

The manufacturer also assumes no responsibility for additional costs incurred by the consumer as a result of making calls to increased tariff lines.

### Directives, Laws and Regulations

**2N Access Unit QR** conforms to the following directives and regulations:

#### EU

- 2012/19/EU on waste electrical and electronic equipment


- 2014/53/EU for radio equipment
- 2011/65/EU on the restriction of the use of certain hazardous substances in electrical and electronic equipment

## Industry Canada


This Class B digital apparatus complies with Canadian ICES-003/NMB-003.

## Legislation of Thailand

เครื่องโทรคมนาคมและอุปกรณ์นี้  
มีความสอดคล้องตามมาตรฐานหรือขอ  
กำหนดทางเทคนิคของ กสทช.

  
**nabp.**

เครื่องวิทยุคมนาคมนี้ ได้รับยกเว้น ไม่ต้องได้  
รับใบอนุญาตให้มี ใช้ซึ่งเครื่องวิทยุคมนาคม  
หรือตั้งสถานีวิทยุคมนาคมตามประกาศ กสทช.  
เรื่อง เครื่องวิทยุคมนาคม และสถานีวิทยุ  
คมนาคมที่ได้รับยกเว้นไม่ต้องได้รับใบอนุญาต  
วิทยุคมนาคมตามพระราชบัญญัติวิทยุคมนาคม  
พ.ศ. 2498



**nabp.** | โทรคมนาคม  
กำกับดูแลเพื่อประชาชน  
Call Center 1200 (InSWs)

## Legislation of Japan

本製品は、シールドネットワークケーブル(STP)を使用して接続してください。また適切に接地してください。

本製品は電気通信事業者（移動通信会社、固定通信会社、インターネットプロバイダ等）の通信回線（公衆無線 LAN を含む）に直接接続することができません。本製品をインターネットに接続する場合は、必ずルータ等を経由し接続してください。

## Electric Waste and Used Battery Pack Handling



Do not place used electric devices and battery packs into municipal waste containers. An undue disposal thereof might impair the environment!

Deliver your expired household electric appliances and battery packs removed from them to dedicated dumpsites or containers or give them back to the dealer or manufacturer for environmental-friendly disposal. The dealer or manufacturer shall take the product back free of charge and without requiring another purchase. Make sure that the devices to be disposed of are complete.

Do not throw battery packs into fire. Battery packs may not be taken into parts or short-circuited either.



2N Access Unit QR – Installation Manual

© 2N Telekomunikace a. s., 2026

**2N.com**